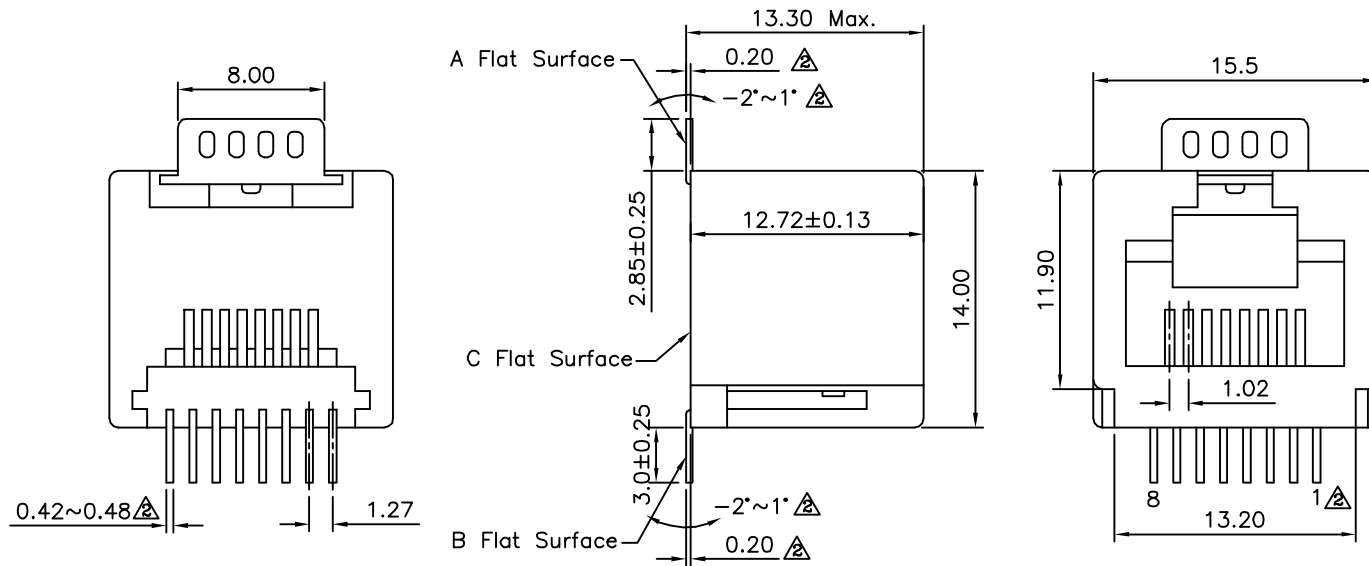


Recommended P.C.B. Layout

△△ SPECIFICATION

Housing:PA9T(UL94V-0),Black
 Insert Housing:PA46(UL94V-0),Black
 Contact:Phosphor Bronze
 Gold Plated 6u" On Contact Area,Gold Flash
 On Other Area,Under Nickel Plated
 Hold Down:Copper Alloy,Tin Plated
 Cavity Confirms To FCC Rules And Regulations
 Part 68 Subpart F
 A And B Highest Point Must Over C Flat Surface
 The Max. Distance(0.15mm) Between Lowest
 And Highest On A And B Flat Surface
 RoHS Compliant



4UCON 元化興業股份有限公司
 4UCON TECHNOLOGY INC.

DRAWING No.

21476

APPROVED BY

EMILY

CHECKED BY

HZF

DRAWING BY

QQJ

UNLESS OTHERWISE SPECIFIED TOLERANCES ARE

.X ±0.25
 .XX ±0.13
 .XXX ±0.05
 ANG. ±0.5°

SCALE

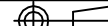
NONE

REV.

A3

UNIT

mm



NO.	REV.	REVISIONS	CHK	DATE
△A3		Modify Data	HZF	05/16/2011
△A2		Modify Data	HZF	05/29/2010
△A1		Change Specifications	HZF	05/27/2008
△A0		NEW RELEASE	BECKY	06/06/2004