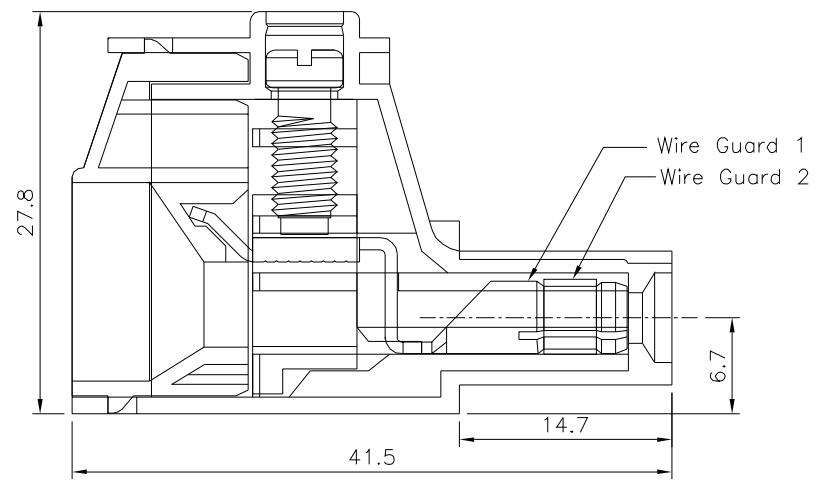
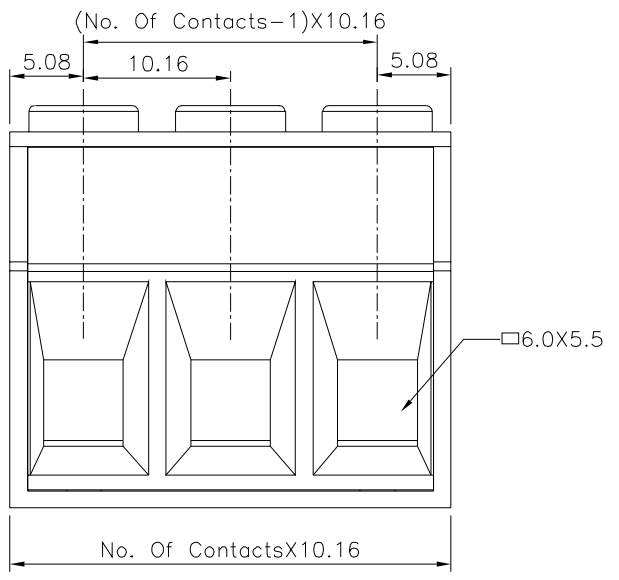
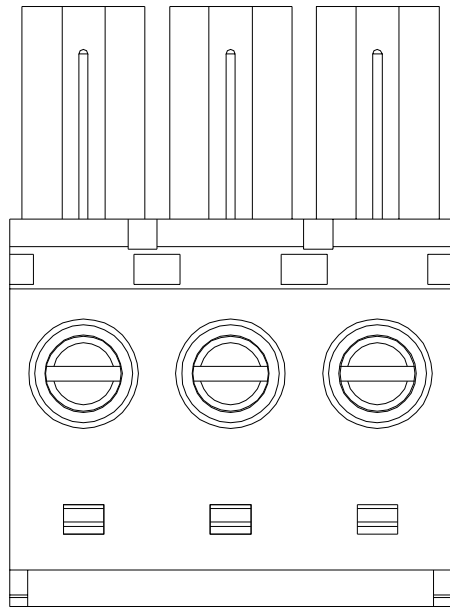


SPECIFICATION

Voltage Rating:300V AC
 Current Rating:60 Amps/Way Max.
 Contact Resistance:20 Milliohms Max.
 Withstanding Voltage:2500V AC(1 Minute)
 Test Time=60s/1 PCS
 Operation Temperature:-40°C~+105°C
 Soldering Reliability:
 Test Temperature:250°C±10°C,5s Max.
 Torque:12 Kgf.cm/M4.5
 Wire Range:6~20 AWG
 Contacts(Metal Housing):Copper Alloy,Nickel Plated
 Terminal Screw:Steel,Galvanized With Cr3+ Plated
 Wire Guard 1:Copper Alloy,Tin Plated
 Wire Guard 2:Stainless Steel
 Insulator Body(Housing):Polyamide(UL94V-0),Green
 RoHS Compliant



4UCON 元化興業股份有限公司
 4UCON TECHNOLOGY INC.

DRAWING No.		APPROVED BY		UNLESS OTHERWISE SPECIFIED TOLERANCES ARE X. ±0.50 .X ±0.30 .XX ±0.20 ANG. ±1°
21505		EMILY		
		CHECKED BY HZF		
		DRAWING BY HAO		UNIT mm
SCALE	NONE	REV.	A0	

NO.	REV.	REVISIONS	CHK	DATE
△ A0		NEW RELEASE	HZF	04/09/2014