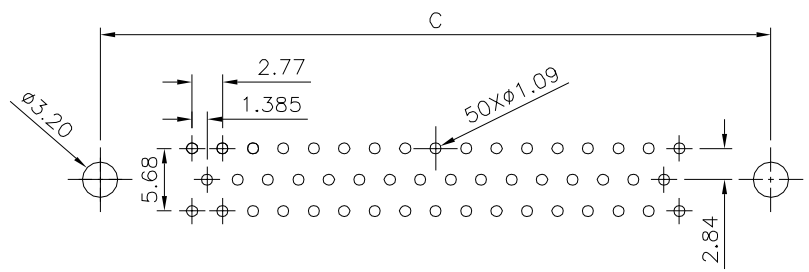
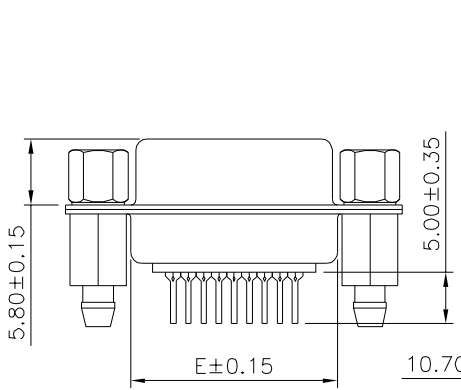
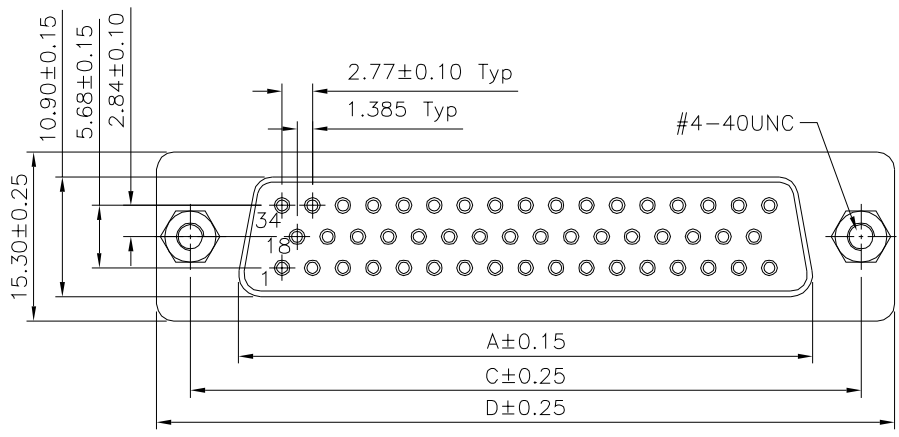
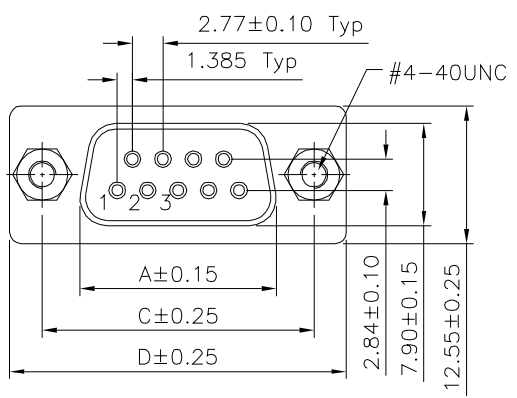


Recommended P.C.B. Layout

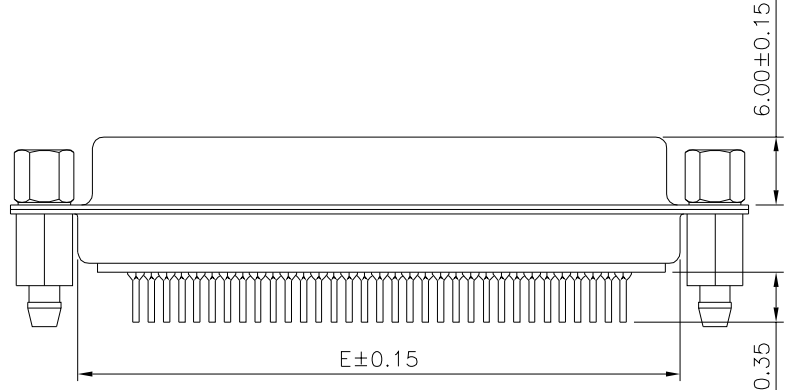
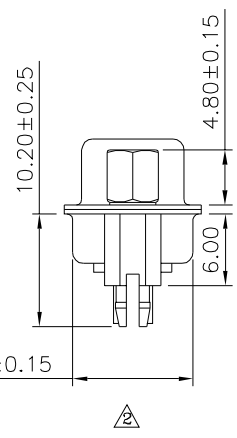


Recommended P.C.B. Layout

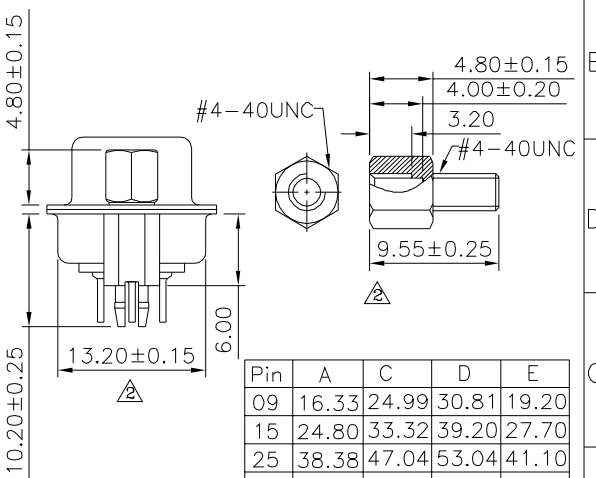
△ SPECIFICATION
△ 1 Current Rating: 1 Amps
 Withstanding Voltage: 500V (One Minute)
 Insulation Resistance: 1000 Megaohms Min.
 At 500V DC
 Contact Resistance: 30 Milliohms Max.
 Operation Temperature: -40°C ~ +85°C
 Insulator: PBT+30%G.F. (UL94V-0), Black
△ 2 Contact: Brass
 Gold Flash On Contact Area, Tin
 Plated On Solder Tails, Over Nickel
 Shell: SPCC, Front: Nickel Plated, Rear: Tin Plated
 Screw: 12L14, Nickel Plated
 Boardlocks: C3602, Tin Plated
 RoHS Compliant



09, 15, 25, 37 Pin



50 Pin



Pin	A	C	D	E
09	16.33	24.99	30.81	19.20
15	24.80	33.32	39.20	27.70
25	38.38	47.04	53.04	41.10
37	54.84	63.50	69.40	57.30
50	52.20	61.00	67.00	55.10

4U CON 元化興業股份有限公司
 4U CON TECHNOLOGY INC.

DRAWING No. **21524**

APPROVED BY MEI
 CHECKED BY HZF
 DRAWING BY CYP
 SCALE NONE REV. A3

UNLESS OTHERWISE SPECIFIED TOLERANCES ARE
 .X ±0.38 .X* ±3*
 .XX ±0.25 .XX* ±1*
 .XXX ±0.05 .XXX* ±0.5*
 UNIT mm

NO.	REV.	REVISIONS	CHK	DATE
△3	A3	Modify Data	HZF	01/15/2019
△2	A2	Modify Data	HZF	11/18/2015
△1	A1	Modify Data	HZF	04/14/2014
△0	A0	NEW RELEASE	HZF	05/30/2011