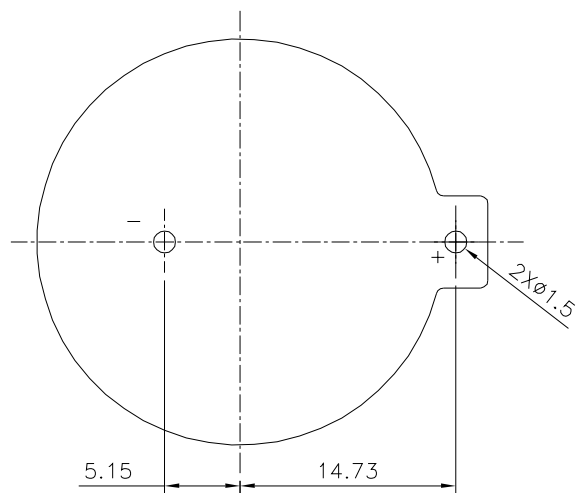
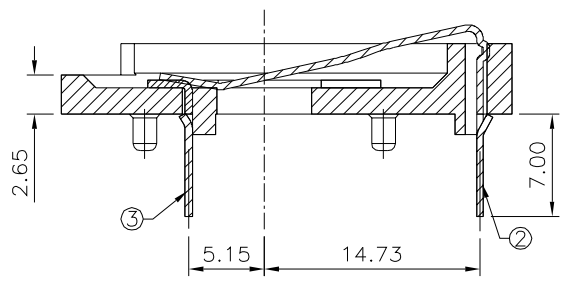


SPECIFICATION
 Withstand Voltage:500V AC One Sec Level
 Contact Resistance:30 Milliohms Max.
 Insulation Resistance:1000 Megohms Min.
 Operation Temperature:-25°C~+85°C
 RoHS Compliant



Recommended P.C.B. Layout(Top View)

No.	Description	Q'ty	Material	Remark
③	Terminal -	1	Mn Steel	Nickel Plated
②	Terminal +	1	Mn Steel	Nickel Plated
①	Housing	1	PBT	Black

4UCON 元化興業股份有限公司
 4UCON TECHNOLOGY INC.

DRAWING No.		APPROVED BY		UNLESS OTHERWISE SPECIFIED TOLERANCES ARE X. ±0.30 X.* ±1° .X ±0.25 .X.* ±0.5° .XX ±0.20 .XXX ±0.10
21551		MEI		
		CHECKED BY		
		HZF		
		DRAWING BY		UNIT mm
		CYP		
SCALE	NONE	REV.	A0	

△ A0	NEW RELEASE	HZF	08/15/2018
NO. REV.	REVISIONS	CHK	DATE