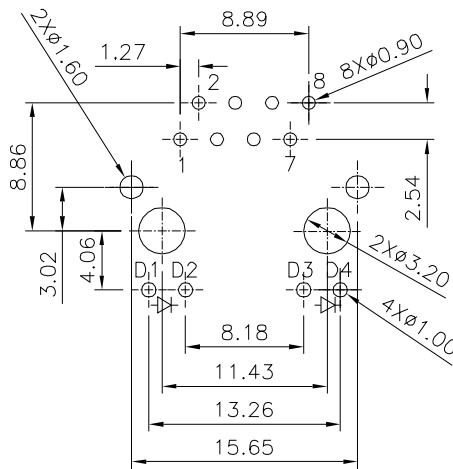
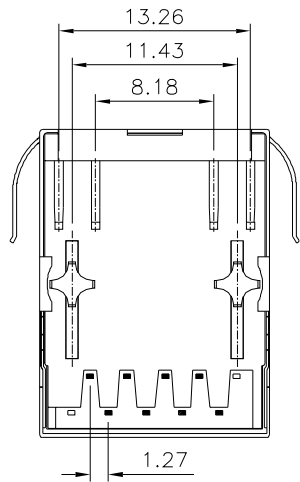
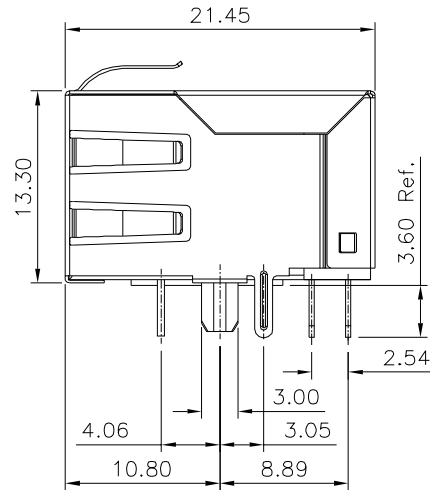
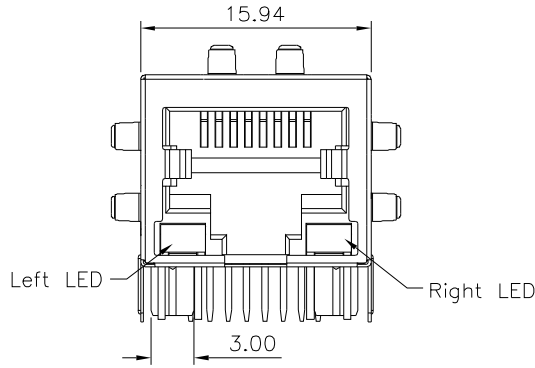


△ SPECIFICATION

Housing:PBT(UL94V-0),Black
 Shield:Brass,Nickel Plated
 Contact:Phosphor Bronze,
 Gold Plated 06u" On Contact Area,Tin
 Plated On Solder Tails,Over Nickel
 Operation Temperature:0°C~+70°C
 Cavity Conforms To FCC Rules And Regulations
 Part 68,Subpart F.
 RoHS Compliant



Recommended P.C.B. Layout(Top View)

△△ LED Color Code Option & Circuit Schematic

Code	Color	Left LED	Right LED
B	Blue	D1 ○ — >	D3 ○ — >
G	Green		
O	Orange	D2 ○ — >	D4 ○ — >
R	Red		
Y	Yellow		

4UCON 元化興業股份有限公司
 4UCON TECHNOLOGY INC.

DRAWING No. **21579**

APPROVED BY MEI
 CHECKED BY HZF
 DRAWING BY CYP

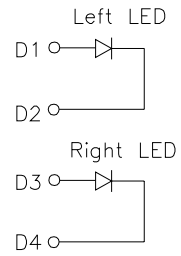
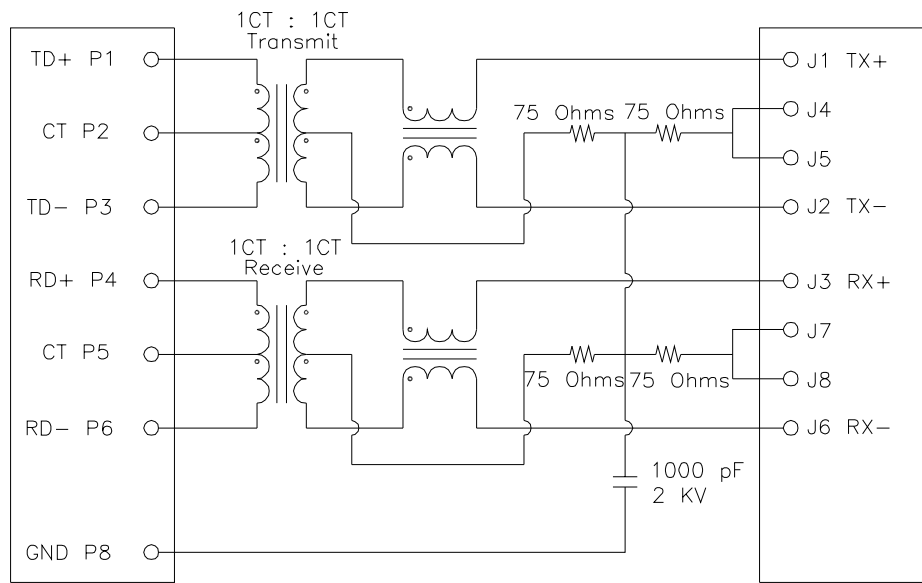
UNLESS OTHERWISE SPECIFIED TOLERANCES ARE
 X ±0.50
 XX ±0.38
 XXX ±0.25
 XXXX ±0.10
 ANG. ±3°

SCALE NONE REV. A2 UNIT mm

NO.	REV.	REVISIONS	CHK	DATE
△A2		Modify Data	HZF	10/26/2022
△A1		Modify Data	HZF	11/30/2020
△A0		NEW RELEASE	HZF	09/18/2018

Connector Solder Side

RJ45 Contact Side



LED Configuration

ELECTRICAL SPECIFICATION

- Test Notes:(25±5°C)
- 1.TR:(100KHz,0.1V);
Input To Output=1:1±3%
 - 2.LX:(100KHz,100mV,8mA,DC Bias)
350uH Min.
 - 3.DCR:
1.2 Ohms Max.
 - 4.Hipot:
Input To Output=1500V AC For 60 Seconds
 - 5.Insertion Loss:
-1.0dB Max. At 0.3MHz To 100MHz;
 - 6.Return Loss:
-20dB Min. At 1MHz To 30MHz
-15dB Min. At 30MHz To 60MHz
-10dB Min. At 60MHz To 80MHz
 - 7.Cross Talk:
-30dB Min. At 1MHz To 100MHz
 - 8.Common To Common Mode Rejection:
-30dB Min. At 1MHz To 100MHz
- RoHS Compliant

4UCON 元化興業股份有限公司
4UCON TECHNOLOGY INC.

DRAWING No. 21579

APPROVED BY MEI
CHECKED BY HZF
DRAWING BY CYP

UNLESS OTHERWISE SPECIFIED TOLERANCES ARE
X ±0.50
XX ±0.38
XXX ±0.25
ANG. ±3°

	A2	Modify Data	HZF	10/26/2022
	A1	Modify Data	HZF	11/30/2020
	A0	NEW RELEASE	HZF	09/18/2018
NO.REV.	REVISIONS		CHK	DATE

SCALE NONE REV. A2 UNIT mm