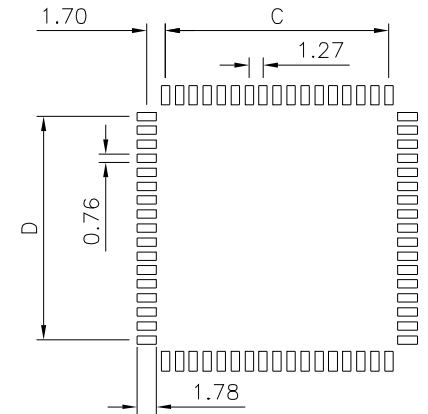
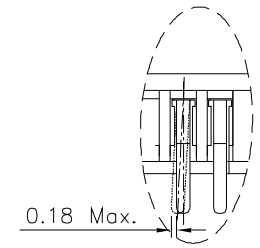


Detail A

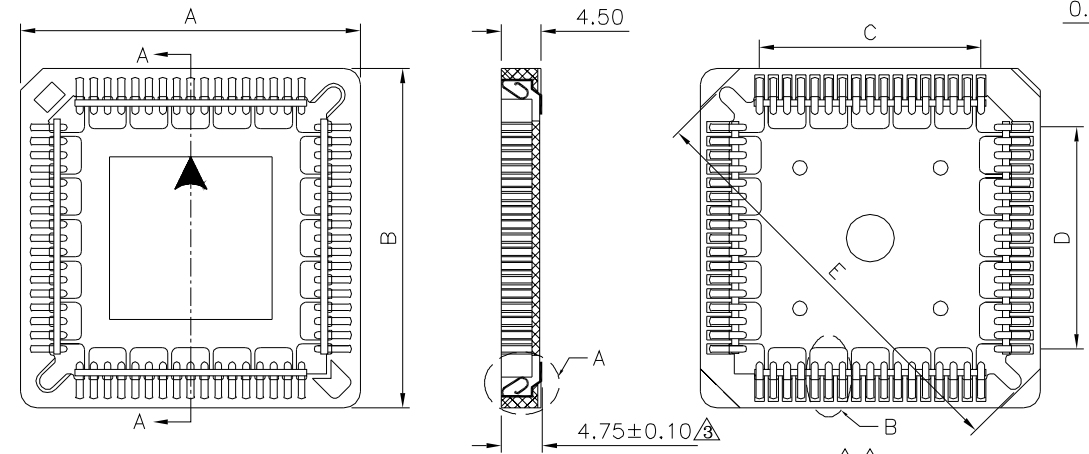


Recommended P.C.B. Layout

△△△ SPECIFICATION
 Current Rating:1A
 Contact Resistance:30 Milliohms Max.
 Insulation Resistance:1000 Megohms Min.
 Withstanding Voltage:600V AC For 1 Minute
 Temperature Range:-50°C~+105°C
 Insulator:PPS(UL94V-0),Brown
 Contact:Phosphor Bronze,Tin Plated Over Nickel
 RoHS Compliant



Detail B



△△△

Section A-A

△△△

△△△

| Contact | A±0.2 | B±0.2 | C±0.1 | D±0.1 | E±0.2 |
|---------|-------|-------|-------|-------|-------|
| 20 | 15.66 | 15.66 | 5.08 | 5.08 | 17.28 |
| 28 | 18.20 | 18.20 | 7.62 | 7.62 | 20.87 |
| 32 | 18.20 | 20.74 | 7.62 | 10.16 | 22.60 |
| 44 | 23.28 | 23.28 | 12.70 | 12.70 | 28.30 |
| 52 | 25.82 | 25.82 | 15.24 | 15.24 | 31.65 |
| 68 | 30.90 | 30.90 | 20.32 | 20.32 | 38.83 |
| 84 | 35.98 | 35.98 | 25.40 | 25.40 | 46.00 |

4UCON 元化興業股份有限公司
 4UCON TECHNOLOGY INC.

DRAWING No. △
21600
 SCALE NONE
 APPROVED BY MEI
 CHECKED BY HZF
 DRAWING BY CYP
 REV. A3
 UNIT mm
 UNLESS OTHERWISE SPECIFIED TOLERANCES ARE
 .X ±0.25
 .XX ±0.15 △
 ANG. ±2°

| NO. | REV. | REVISIONS | CHK | DATE |
|-----|------|-------------|-------|------------|
| △3 | A3 | Modify Data | HZF | 03/12/2019 |
| △2 | A2 | Modify Data | HZF | 05/28/2016 |
| △1 | A1 | Modify Data | HZF | 01/04/2010 |
| △0 | A0 | NEW RELEASE | BECKY | 06/03/2005 |