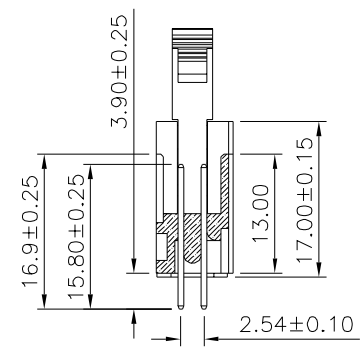
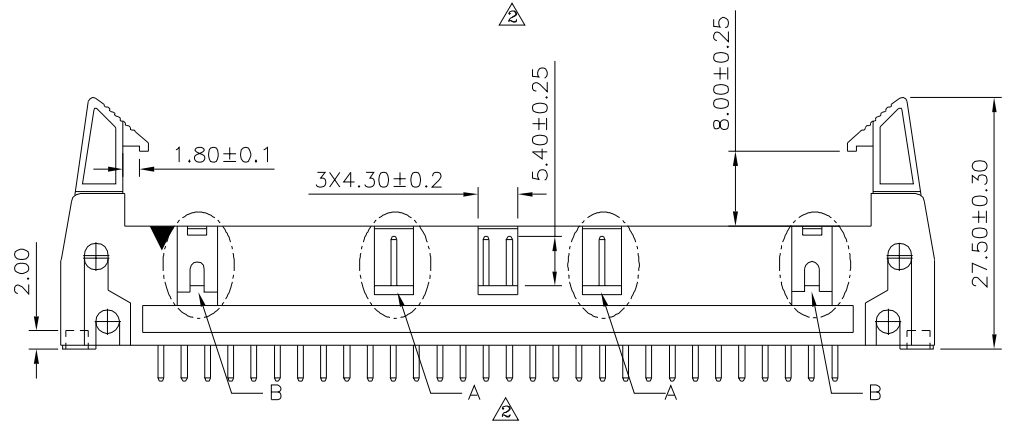
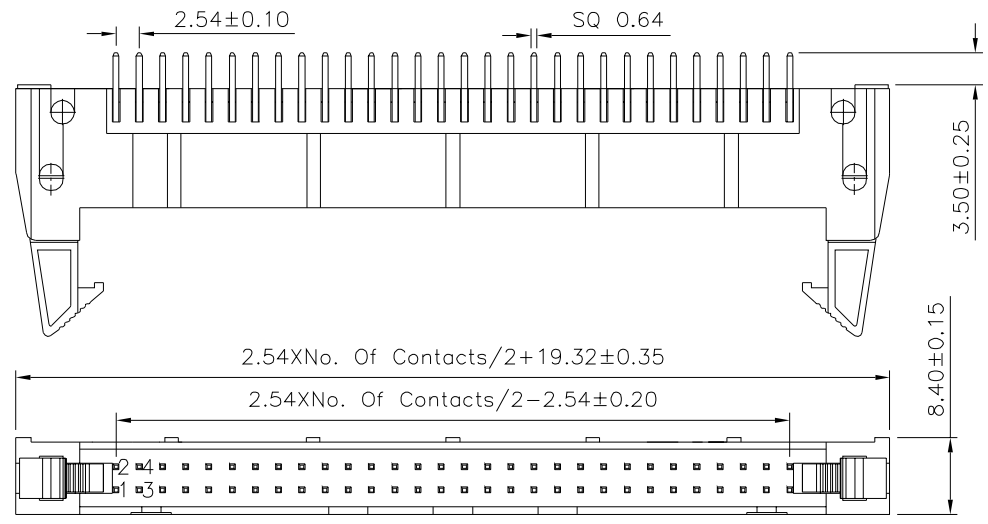


SPECIFICATION
 Current Rating: 3 Amps
 Withstand Voltage: 1000V AC
 Contact Resistance: 20 Milliohms Max.
 Insulation Resistance: 1000 Megaohms Min.
 Operation Temperature: -40°C ~ +105°C
 ⚠ Insulator: PBT (UL94V-0), Black
 Contact: Brass, Gold Flash Over Nickel
 Only 60P~64P With Slot "A"
 Less Than 18 Pin Without Slot "B"
 RoHS Compliant



4UCON 元化興業股份有限公司
 4UCON TECHNOLOGY INC.

DRAWING No.		APPROVED BY MEI	
21635		CHECKED BY HZF	
SCALE NONE		DRAWING BY CYP	
REV.	B2	UNIT mm	

UNLESS OTHERWISE SPECIFIED TOLERANCES ARE			
X.	±0.25	X.*	±2*
.X	±0.20	.X*	±1.5*
.XX	±0.15	.XX*	±1*
.XXX	±0.10	.XXX*	±0.5*
NO. REV.	REVISIONS		DATE
	B2	Modify Data	HZF 10/21/2019
	B1	Modify Data	HZF 03/21/2016
	B0	NEW RELEASE	HZF 05/14/2015