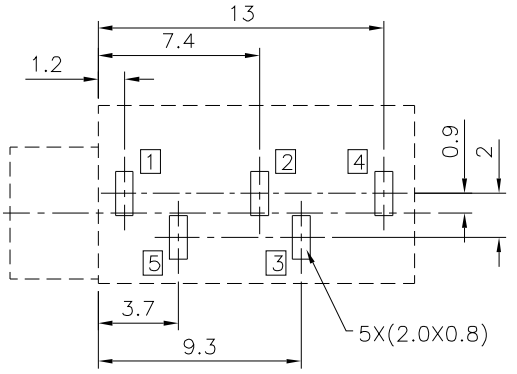
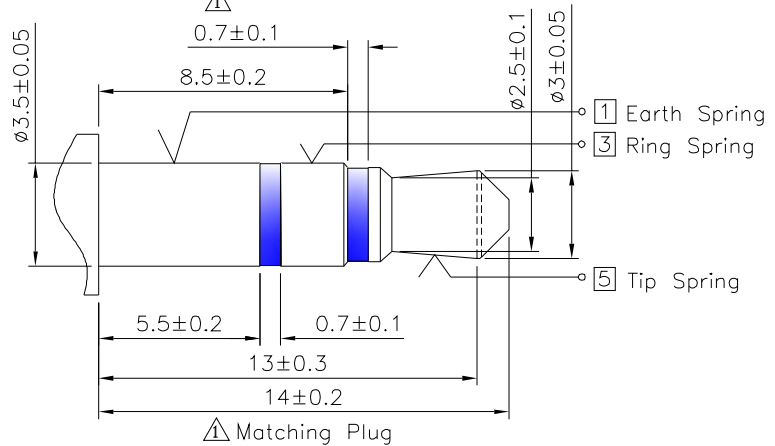
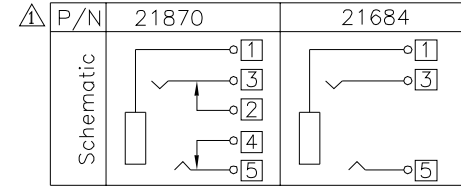
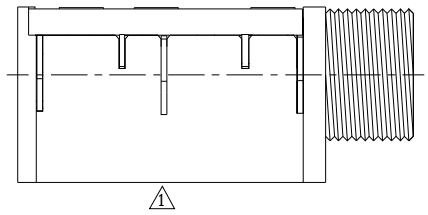


△ SPECIFICATION
 Rating: DC 30V, 0.5A
 Contact Resistance: 30 Milliohms Max.
 After Test: 50 Milliohms Max.
 Insulation Resistance: 100 Megaohms Min. (500V DC)
 After Test: 50 Megaohms Min.
 Withstand Voltage: 500V AC
 Insertion And Extraction Force: 3~30N
 Life Test: 5000 Cycles Min.
 Operation Temperature Range: -20°C~+70°C
 Storage Temperature: -40°C~+85°C
 RoHS Compliant



○:Item No. □:Terminal No.

Item No.	Description	Q'ty	Material	Remark
①	Nut	1	Brass	Nickel Plated
⑩	Bushing	1	Brass	Nickel Plated
⑨	Spring-2	1	Spring Wire	Nickel Plated
⑧	Spring-1	1	Spring Wire	Nickel Plated
⑦	Tip Spring	5	Phosphor Bronze	Tin Plated
⑥	Shunt Terminal	4	Brass	Tin Plated
⑤	Shunt Terminal	2	Brass	Tin Plated
④	Ring Spring	3	Phosphor Bronze	Silver Plated
③	Earth Terminal	1	Brass	Tin Plated
②	Cover	1	PBT	Black
①	Housing	1	PBT	Black

4UCON 元化興業股份有限公司
 4UCON TECHNOLOGY INC.

DRAWING No. 21684		APPROVED BY MEI		UNLESS OTHERWISE SPECIFIED TOLERANCES ARE X. ±0.3 .X ±0.3 ANG. ±2°
		CHECKED BY HZF		
		DRAWING BY CYP		
SCALE	NONE	REV.	A2	UNIT mm

No.	Description	Q'ty	Material	Remark
△ A2	Modify Data			HZF 07/23/2019
△ A1	Modify Data			HZF 12/06/2013
△ A0	NEW RELEASE			BECKY 12/08/2005
NO.REV.	REVISIONS		CHK	DATE