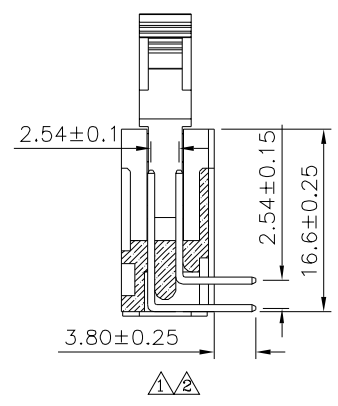
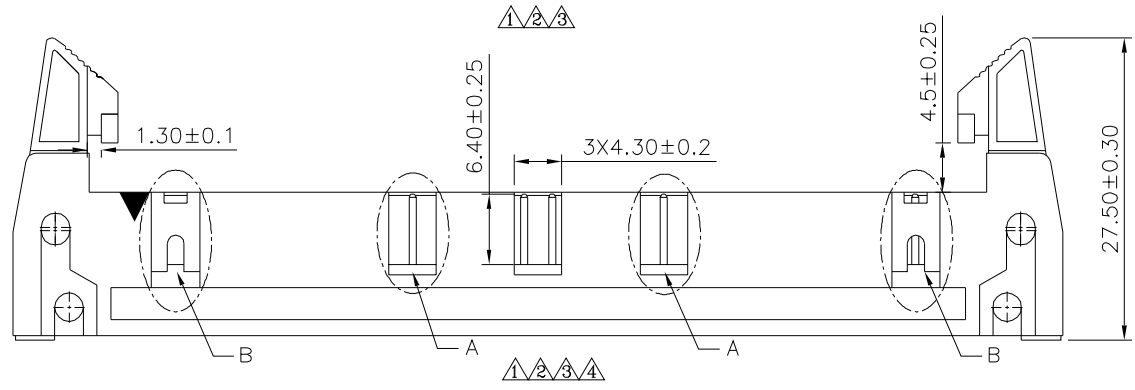
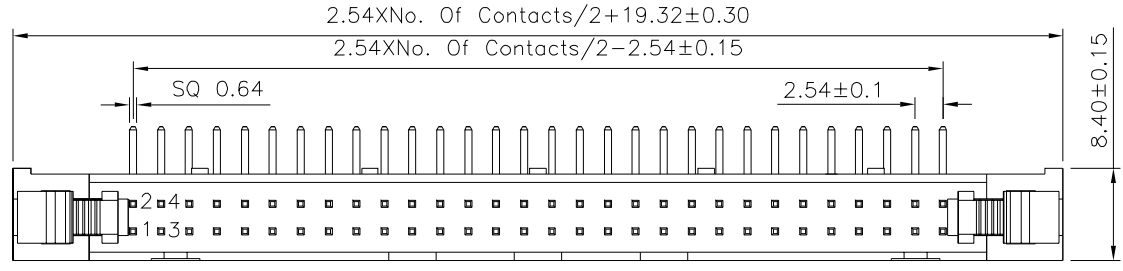
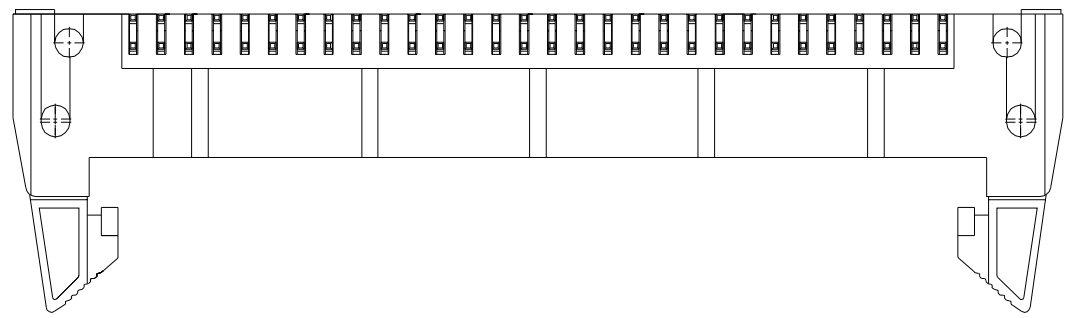


△△ SPECIFICATION

Current Rating:3 Amp
 Withstand Voltage:1000V AC Min./Minute
 Contact Resistance:20 Milliohms Max.
 Insulation Resistance:1000 Megaohms Min.
 Operation Temperature:-40°C~+105°C
 Insulator:PBT(UL94V-0),Black
 Contact:Brass,Gold Flash Over Nickel
 Only 60P~64P With Slot "A"
 Less Than 18 Pin Without Slot "B"
 RoHS Compliant
 *6,8,10,12,14,16,20,24,26,30,34,40,50,60,64P Available



4UCON 元化興業股份有限公司
 4UCON TECHNOLOGY INC.

DRAWING No. △		APPROVED BY		UNLESS OTHERWISE SPECIFIED TOLERANCES ARE △ X. ±0.25 X.* ±2* .X ±0.20 .X* ±1.5* .XX ±0.15 .XX* ±1* .XXX ±0.10 .XXX* ±0.5* UNIT mm	△ A4 Modify Data HZF 11/30/2019 △ A3 Modify Data HZF 05/29/2015 △ A2 Modify Data HZF 04/22/2015 △ A1 Modify Data HZF 03/06/2014 △ A0 NEW RELEASE HZF 05/26/2012 NO.REV. REVISIONS CHK DATE
21769		MEI	CHECKED BY		
		HZF	DRAWING BY		
SCALE	NONE	REV.	A4	UNIT	mm

UNLESS OTHERWISE SPECIFIED TOLERANCES ARE		△ A4 Modify Data		HZF	11/30/2019
△ X. ±0.25 X.* ±2*		△ A3 Modify Data		HZF	05/29/2015
.X ±0.20 .X* ±1.5*		△ A2 Modify Data		HZF	04/22/2015
.XX ±0.15 .XX* ±1*		△ A1 Modify Data		HZF	03/06/2014
.XXX ±0.10 .XXX* ±0.5*		△ A0 NEW RELEASE		HZF	05/26/2012
UNIT	mm	NO.REV.	REVISIONS	CHK	DATE