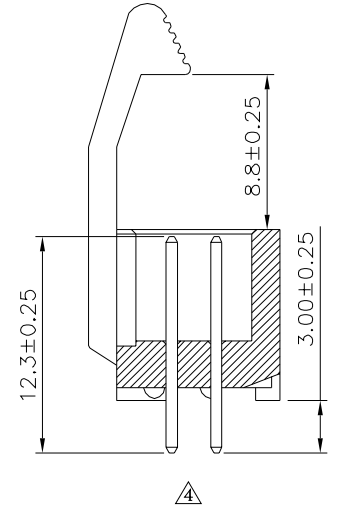
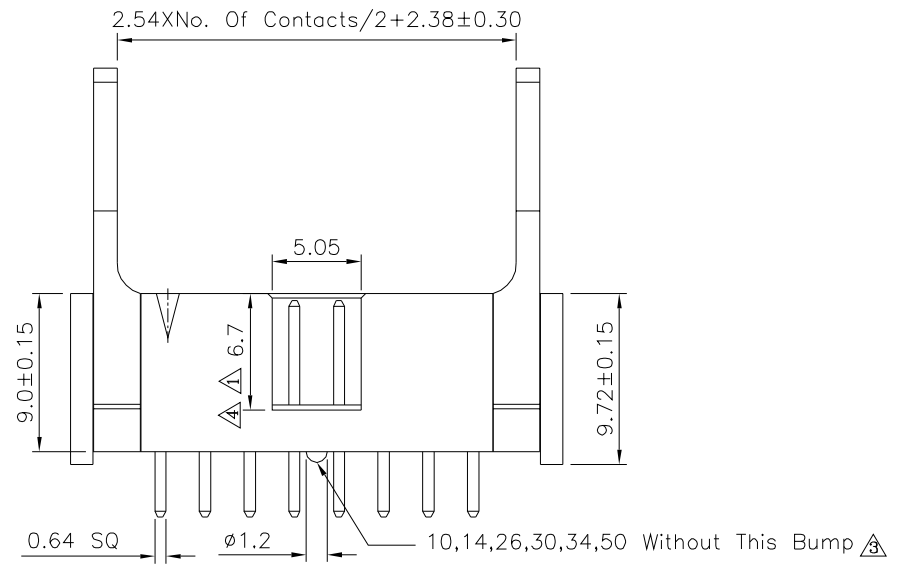
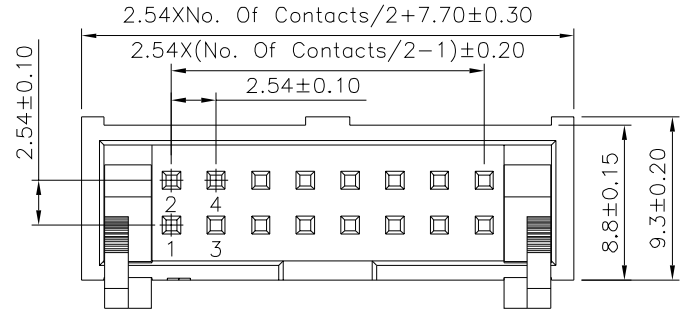


SPECIFICATION

Current Rating: 3.0 Amp
 Withstand Voltage: 1000V AC/DC
 Contact Resistance: 20 Milliohms Max.
 Insulation Resistance: 1000 Megohms Min.
 Operation Temperature: -40°C ~ +105°C
 Insulator: PBT (UL94V-0)
 Contact: Brass, Gold Flash Over Nickel
 Metal Latch: Zinc Alloy, Nickel Plated
 No. of Contact: 08, 10, 14, 16, 20, 26, 30, 34, 40, 44, 50, 60, 64
 Contacts Are Toolled Already
 RoHS Compliant



4UCON 元化興業股份有限公司
 4UCON TECHNOLOGY INC.

DRAWING No.		APPROVED BY		UNLESS OTHERWISE SPECIFIED TOLERANCES ARE X: ±0.30 X*: ±2" .X ±0.25 .X* ±1.5" .XX ±0.20 .XX* ±1" .XXX ±0.15 .XXX* ±0.5"
21774		MEI		
		HZF		
		DRAWING BY		UNIT mm
		CYP		
SCALE	NONE	REV.	A4	NO. REV.

△A4	Modify Data	HZF	01/09/2020
△A3	Modify Data	HZF	10/15/2019
△A2	Modify Data	HZF	01/09/2018
△A1	Modify Data	HZF	08/31/2016
△A0	NEW RELEASE	HZF	11/07/2014
NO. REV.	REVISIONS	CHK	DATE