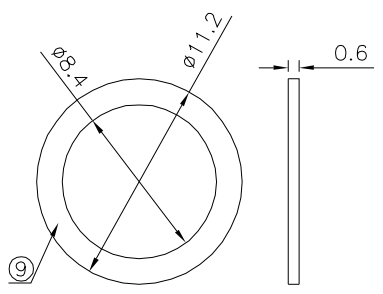
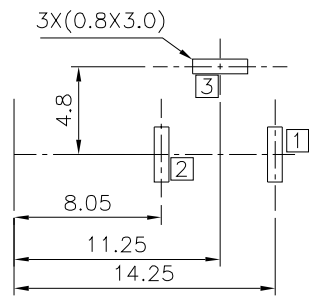


Nut



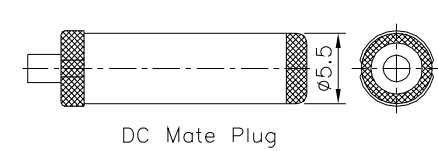
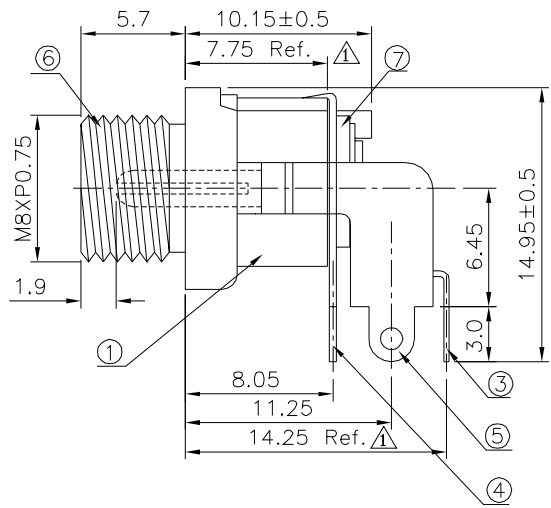
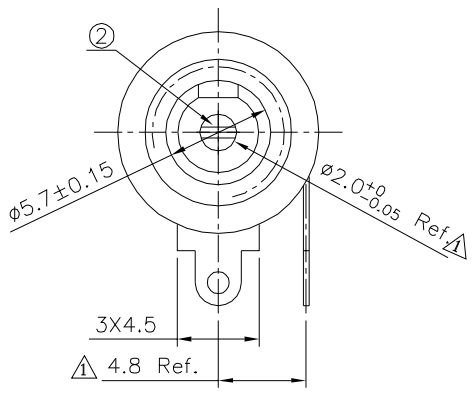
Flat Washer



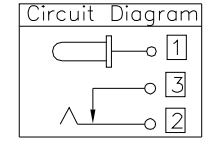
Recommended P.C.B. Layout  
Tolerance: ±0.05 (Copper-Sided View)

**SPECIFICATION**

Rating: DC 12V 5A, DC 15V 7A  
 Contact Resistance: 30 Milliohms Max.  
 After Test 50 Milliohms Max.  
 Insulation Resistance: 100 Megaohms Min. (DC 500V)  
 After Test: 50 Megaohms Min.  
 Withstand Voltage: 500V AC  
 Operation Temperature Range: -20°C ~ +70°C  
 RoHS Compliant



DC Mate Plug



Circuit Diagram

□: Terminal No.    ○: Item No.

No.	Description	Q'ty	Material	Remark
⑨	Flat Washer	1	Stainless Steel	Nickel Plated
⑧	Nut	1	Brass	Nickel Plated
⑦	Washer	2	Bakelite	
⑥	Bushing	1	Brass	CuSn Plated
⑤	Shunt Terminal	1	Phosphor Bronze	Silver Plated
④	Tip Spring	1	Phosphor Bronze	Silver Plated
③	Center Pin Terminal	1	Brass	Silver Plated
②	Center Pin	1	Brass	CuSn Plated
①	Housing	1	PBT(UL94V-0)	Black
No.	Description	Q'ty	Material	Remark

**4UCON** 元化興業股份有限公司  
 4UCON TECHNOLOGY INC.

DRAWING No.		APPROVED BY		UNLESS OTHERWISE SPECIFIED TOLERANCES ARE .X ±0.50 X.* ±5° .XX ±0.30 .X.* ±3° .XXX ±0.15 .XX* ±2°
21776		MEI		
		CHECKED BY		
		HZF		
		DRAWING BY		
		LSM		
SCALE	NONE	REV.	A1	UNIT mm

NO.	REV.	REVISIONS	CHK	DATE
△	A1	Modify Data	HZF	10/05/2024
△	A0	NEW RELEASE	HZF	03/06/2024