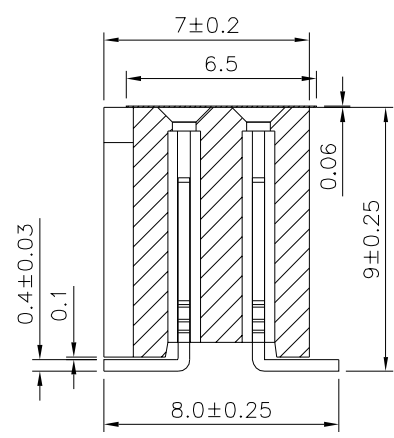
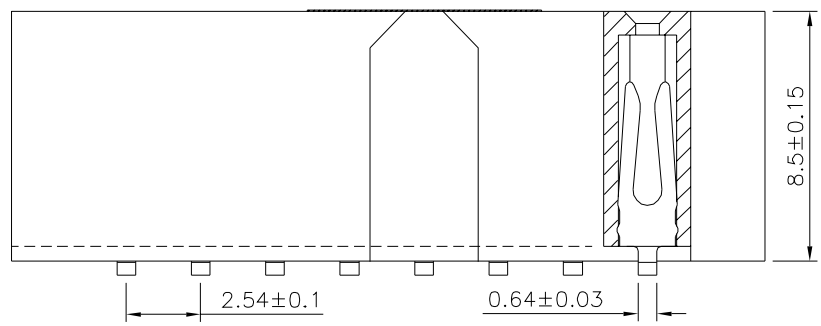
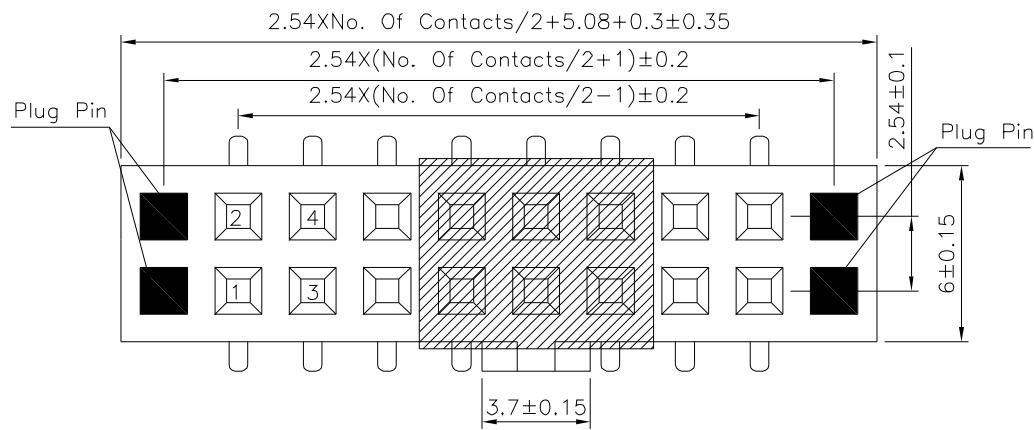


Recommended P.C.B. Layout (Top View)  
(PCB Board Tolerance ±0.05)



**SPECIFICATION**

Current Rating: 3 Amp  
 Withstand Voltage: 1000V AC Min./Minute  
 Contact Resistance: 20 Milliohms Max.  
 Insulation Resistance: 1000 Megaohms Min.  
 Operation Temperature: -40°C ~ +105°C  
 Insulator: PA6T(UL94V-0), Black  
 Contact: Brass, Gold Flash Over Nickel  
 RoHS Compliant  
 \*2X01, 2X03, 2X04, 2X05, 2X06, 2X07, 2X08  
 2X09, 2X10, 2X11, 2X12, 2X13, 2X15, 2X16  
 2X17, 2X18, 2X20, 2X23, 2X25, 2X28P Available

**4UCON** 元化興業股份有限公司  
 4UCON TECHNOLOGY INC.

DRAWING No.		APPROVED BY		UNLESS OTHERWISE SPECIFIED TOLERANCES ARE X. ±0.25 X.* ±2* .X ±0.20 .X* ±1.5* .XX ±0.15 .XX* ±1* .XXX ±0.10 .XXX* ±0.5*
21783		MEI		
		CHECKED BY HZF		
		DRAWING BY CYP		
SCALE	NONE	REV.	A0	UNIT mm

NO.	REV.	REVISIONS	CHK	DATE
△ A0		NEW RELEASE	HZF	06/10/2019