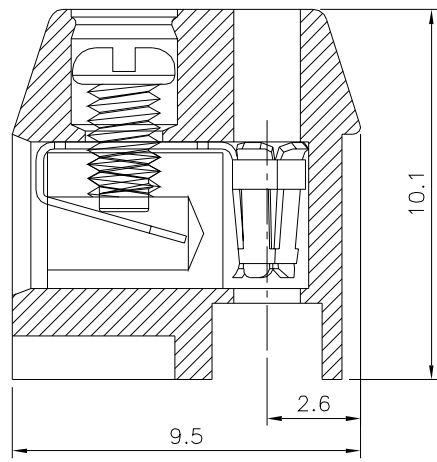
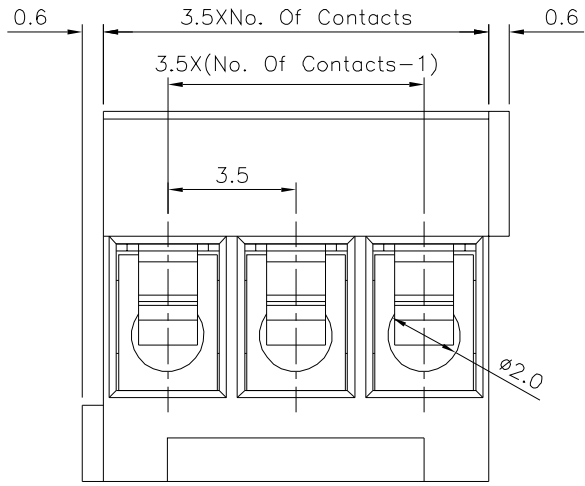
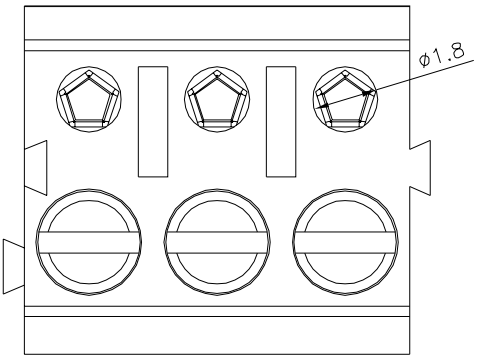


SPECIFICATION

Voltage Rating:300V AC
 Current Rating:10 Amps/Way Max.
 Contact Resistance:20 Milliohms Max.
 Withstanding Voltage:2500V AC(1Minute) Test
 Time=60 Sec/1 PCS
 Wire Range:16~28 AWG
 Torque:2.0 Kgf.cm/M2.0
 Operation Temperature:-40°C~+105°C
 Soldering Reliability:
 Test Temperature=250°C±10°C/5 Seconds Max.
 Contact(Metal Housing):Copper Alloy,Nickel Plated
 Terminal Screw:Steel,Galvanized With Cr3+ Plated
 Wire Guard:Copper Alloy,Tin Plated
 ⚠ Insulator Body(Housing):Polyamide(UL94V-0),Blue
 RoHS Compliant



4UCON 元化興業股份有限公司
 4UCON TECHNOLOGY INC.

DRAWING No. ⚠		APPROVED BY		UNLESS OTHERWISE SPECIFIED TOLERANCES ARE X. ±0.50 .X ±0.30 .XX ±0.20 ANG. ±1°
21824		MEI		
		CHECKED BY HZF		
SCALE NONE		DRAWING BY CYP		UNIT mm
REV. A1		A1		⊕

NO.	REV.	REVISIONS	CHK	DATE
⚠ A1		Modify Data	HZF	05/10/2017
⚠ A0		NEW RELEASE	HZF	06/05/2012