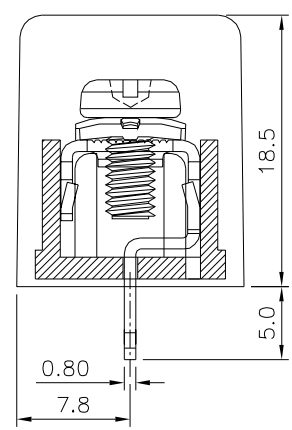
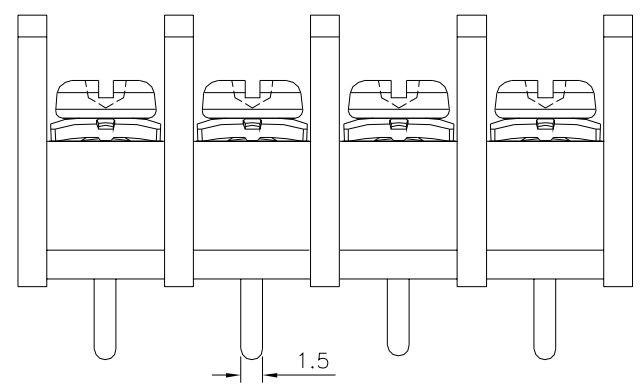
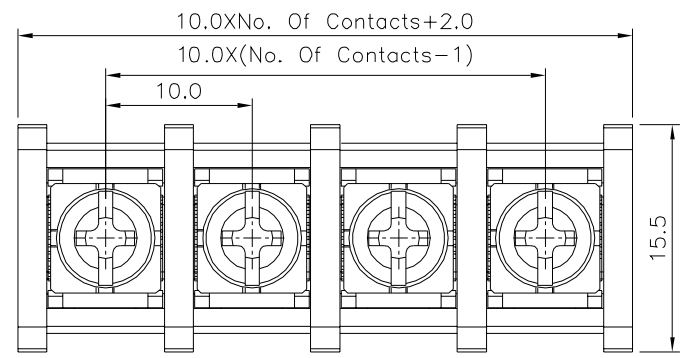


Recommended P.C.B. Layout



**SPECIFICATION**

Current Rating:25 Amps/Way Max.  
 Voltage Rating:300V AC  
 Contact Resistance:20 Milliohms Max.  
 Operation Temperature:-40°C~+105°C  
 Soldering Reliability:Test Temperature:  
 250°C±10°C/5s Max.  
 Withsanding Voltage:2500V AC (1 Minute)  
 Test Time=60s/1 PCS  
 Wire Range:12~22 AWG  
 Torque:10 Kgf.cm/M3.5  
 Insulator Body(Housing):PA66+G.F.(UL94V-0),Black  
 Terminals:Copper Alloy,Tin Plated  
 Terminal Screw:Steel,Galvanized With Cr3+ Plated  
 RoHS Compliant  
 \* 02~28P Available~

**4UCON** 元化興業股份有限公司  
 4UCON TECHNOLOGY INC.

DRAWING No.		APPROVED BY		UNLESS OTHERWISE SPECIFIED TOLERANCES ARE X. ±0.50 .X ±0.30 .XX ±0.20 ANG. ±1°
21889		MEI		
		CHECKED BY		
HZF		DRAWING BY		
CYP		A0		UNIT
SCALE	NONE	REV.	A0	mm

NO.	REV.	REVISIONS	CHK	DATE
△ A0		NEW RELEASE	HZF	11/05/2019