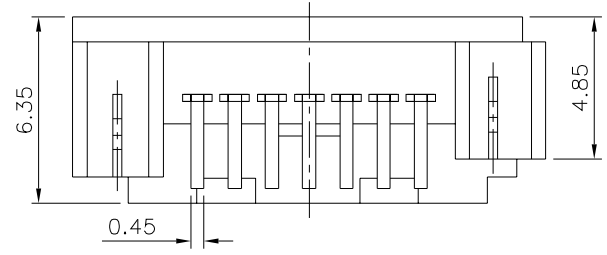
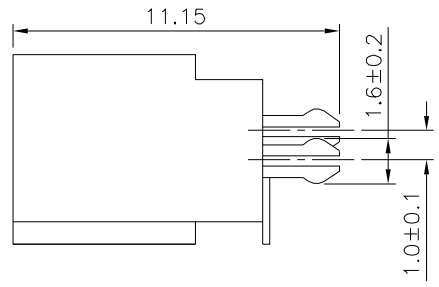
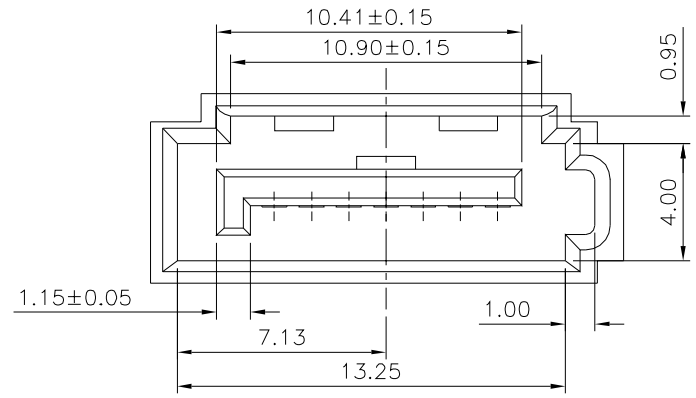


Recommended P.C.Board Layout

**SPECIFICATION**  
 Current Rating:1.5 Ampere Per Contact  
 Operation Voltage:100V AC Max.  
 Dielectric Withstand Voltage:500V AC  
 Contact Resistance:30 Milliohms Max.  
 Insulation Resistance:1000 Megaohms Min.  
 Operating Temperature:-55°C~+125°C  
 Housing:LCP+30%G.F.(UL94V-0),Black  
 Contact:Brass  
     Gold Flash On Contact Area,Tin  
     Plated On Solder Tail,Over Nickel  
 Peg:Brass,Tin Plated On Solder Tails,  
     Nickel Plated Under Over All  
 RoHS Compliant



**4UCON** 元化興業股份有限公司  
 4UCON TECHNOLOGY INC.

DRAWING No.		APPROVED BY		UNLESS OTHERWISE SPECIFIED TOLERANCES ARE .X ±0.38 .XX ±0.25 ANG.
21957		MEI		
		CHECKED BY HZF		
DRAWING BY		SONG		
SCALE	NONE	REV.	A0	UNIT mm

NO.	REV.	REVISIONS	CHK	DATE
△ A0		NEW RELEASE	HZF	04/07/2011