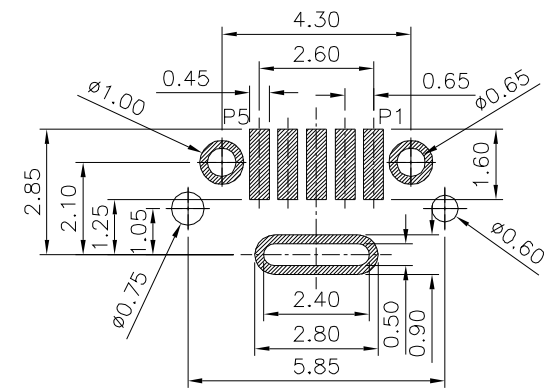
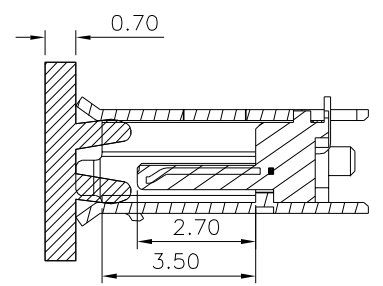
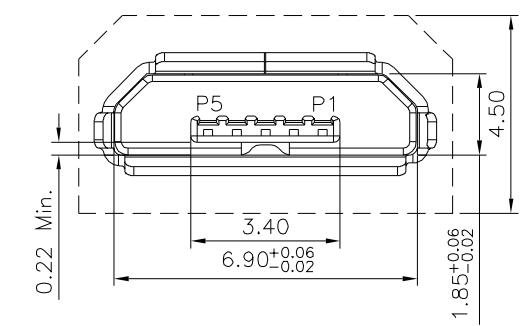
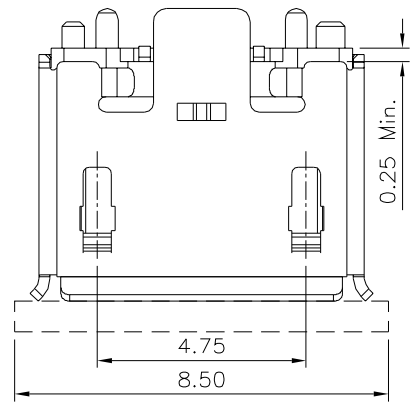
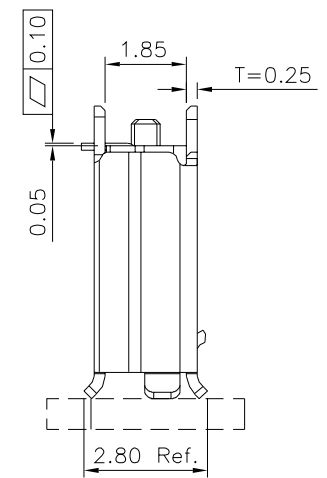
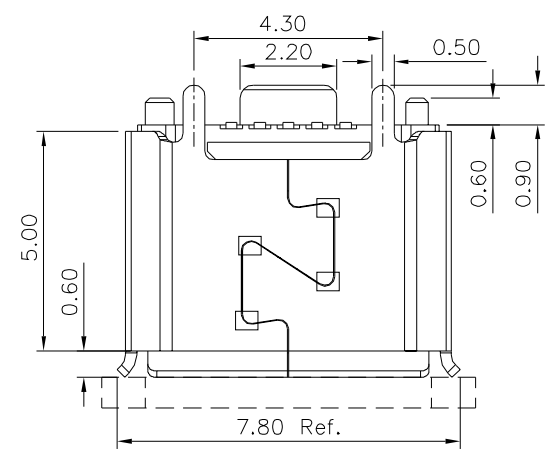
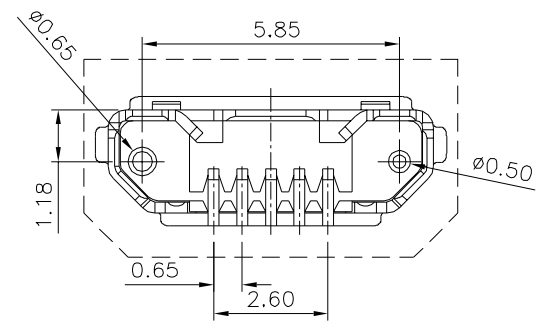


SPECIFICATION
 Current Rating:1A Max.
 Withstand Voltage:100V AC For One Minute
 Contact Resistance:50 Milliohms Max.
 Insulation Resistance:100 Megaohms Min.
 Temperature Range:-30°C~+80°C
 Housing:LCP(UL94V-0),Black
 Contact:C2680R-H,Gold Flash Over Nickel
 Shell:SUS201,Nickel Plated
 Total Mating Force:3.57 kgf Max.
 Total Unmating Force:1.0 kgf Min.
 RoHS Compliant



Recommended P.C.B. Layout

4UCON 元化興業股份有限公司
 4UCON TECHNOLOGY INC.

DRAWING No.		APPROVED BY		UNLESS OTHERWISE SPECIFIED TOLERANCES ARE .X ±0.20 .X* ±0.5* .XX ±0.10 .XXX ±0.05
22023		MEI		
		CHECKED BY HZF		
SCALE		DRAWING BY		UNIT mm
NONE		CYP		
REV.	A0	UNIT		NO. REV.
		mm		

AO	NEW RELEASE	HZF	04/18/2018
NO. REV.	REVISIONS	CHK	DATE