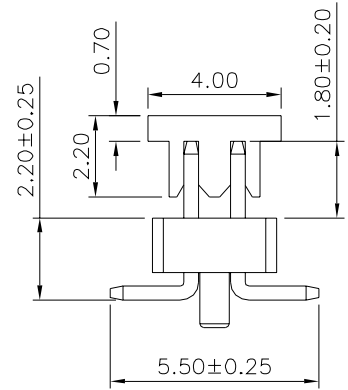
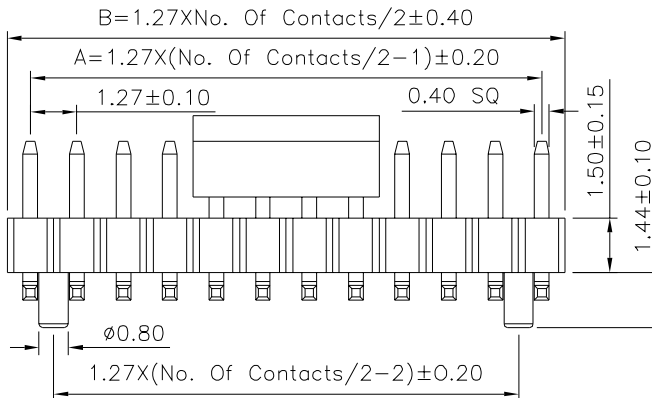
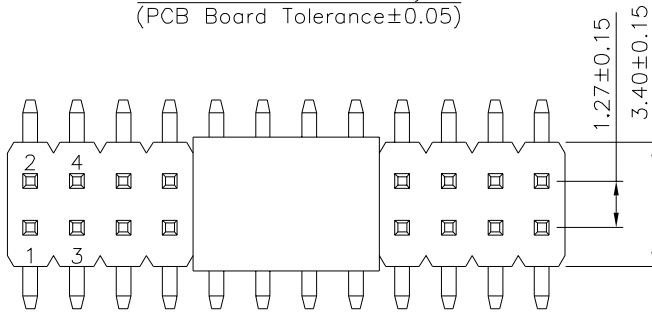


Recommended P.C.B. Layout
(PCB Board Tolerance±0.05)



SPECIFICATION

Current Rating:1 Amp
 Withstand Voltage:500V AC/Minute
 Contact Resistance:20 Milliohms Max.
 Insulation Resistance:1000 Megaohms Min.
 Operation Temperature:-40°C~+105°C
 Insulator:PA6T+30%G.F.(UL94V-0),Black
 Contact:Brass,Gold Flash Over Nickel
 RoHS Compliant

Pin	A	B	Pin	A	B
6	2.54	3.81	54	33.02	34.29
8	3.81	5.08	56	34.29	35.56
10	5.08	6.35	58	35.56	36.83
12	6.35	7.62	60	36.83	38.10
14	7.62	8.89	62	38.10	39.37
16	8.89	10.16	64	39.37	40.64
18	10.16	11.43	66	40.64	41.91
20	11.43	12.70	68	41.91	43.18
22	12.70	13.97	70	43.18	44.45
24	13.97	15.24	72	44.45	45.72
26	15.24	16.51	74	45.72	46.99
28	16.51	17.78	76	46.99	48.26
30	17.78	19.05	78	48.26	49.53
32	19.05	20.32	80	49.53	50.80
34	20.32	21.59	82	50.80	52.07
36	21.59	22.86	84	52.07	53.34
38	22.86	24.13	86	53.34	54.61
40	24.13	25.40	88	54.61	55.88
42	25.40	26.67	90	55.88	57.15
44	26.67	27.94	92	57.15	58.42
46	27.94	29.21	94	58.42	59.69
48	29.21	30.48	96	59.69	60.96
50	30.48	31.75	98	60.96	62.23
52	31.75	33.02	100	62.23	63.50

4UCON 元化興業股份有限公司
4UCON TECHNOLOGY INC.

DRAWING No. 22030

APPROVED BY MEI
 CHECKED BY HZF
 DRAWING BY CYP

SCALE NONE REV. A0

UNLESS OTHERWISE SPECIFIED TOLERANCES ARE
 .X ±0.30
 .XX ±0.20
 .XXX ±0.10
 ANG. ±2°

UNIT mm

△ A0	NEW RELEASE	HZF	01/08/2021
NO. REV.	REVISIONS	CHK	DATE