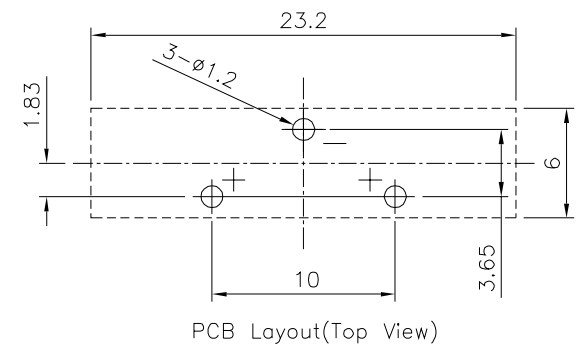
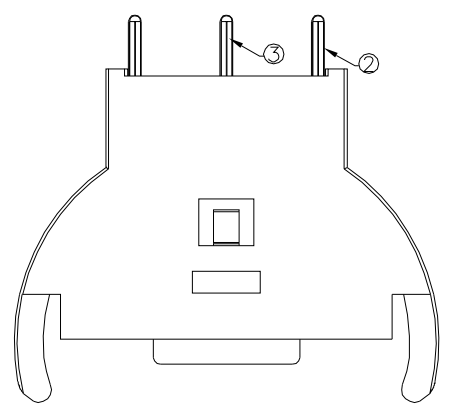
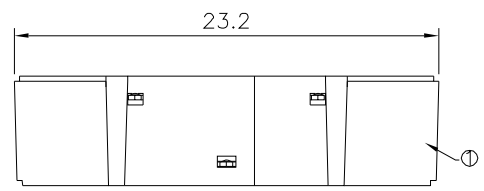
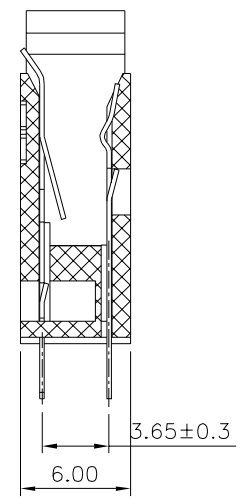
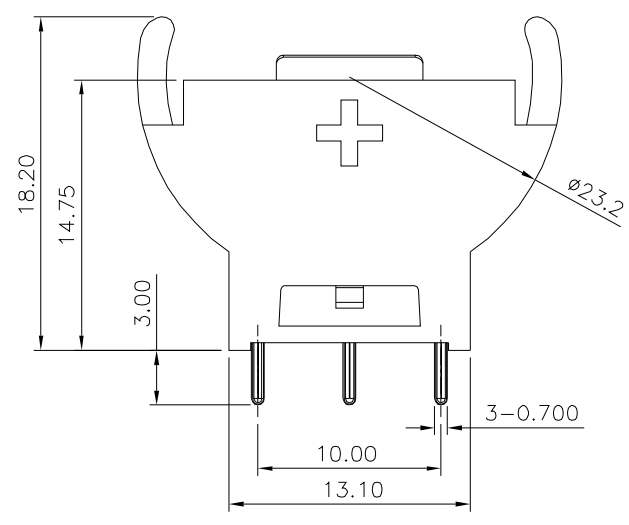


**SPECIFICATION**  
 Withstand Voltage:500V AC One Sec Level  
 Contact Resistance:30 Milliohms Max.  
 Insulation Resistance:1000 Megaohms Min.  
 Operation Temperature:-40°C~+105°C  
 RoHS Compliant



No.	Description	Q'ty	Material	Remark
③	Terminal -	1	Brass	Nickel Plated
②	Terminal +	1	Brass	Nickel Plated
①	Housing	1	PA66	Black

**4UCON** 元化興業股份有限公司  
 4UCON TECHNOLOGY INC.

DRAWING No.		APPROVED BY		UNLESS OTHERWISE SPECIFIED TOLERANCES ARE X. ±0.30 X.* ±1* .X ±0.25 .X* ±0.5* .XX ±0.20 .XXX ±0.10
22079		MEI		
		CHECKED BY		
		HZF		
		DRAWING BY		UNIT mm
		CYP		
SCALE	NONE	REV.	A0	

△ A0	NEW RELEASE	HZF	09/19/2020
NO.REV.	REVISIONS	CHK	DATE