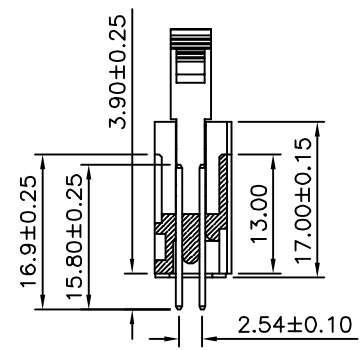
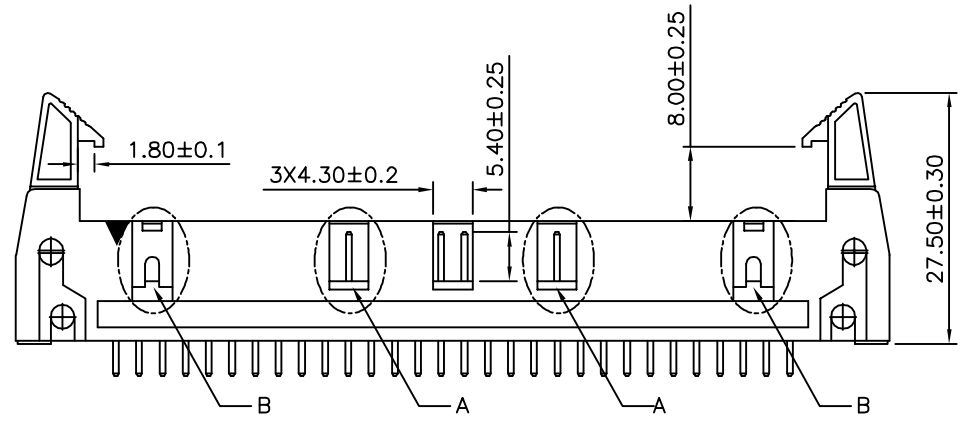
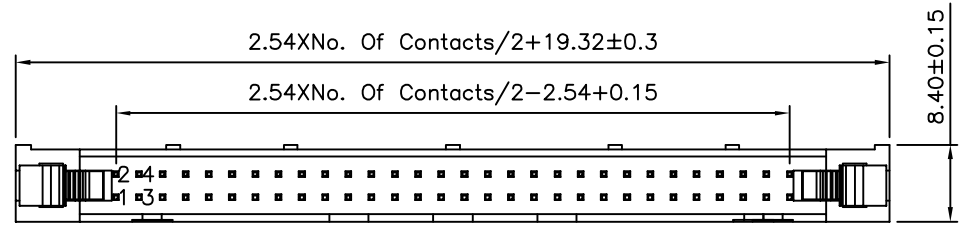
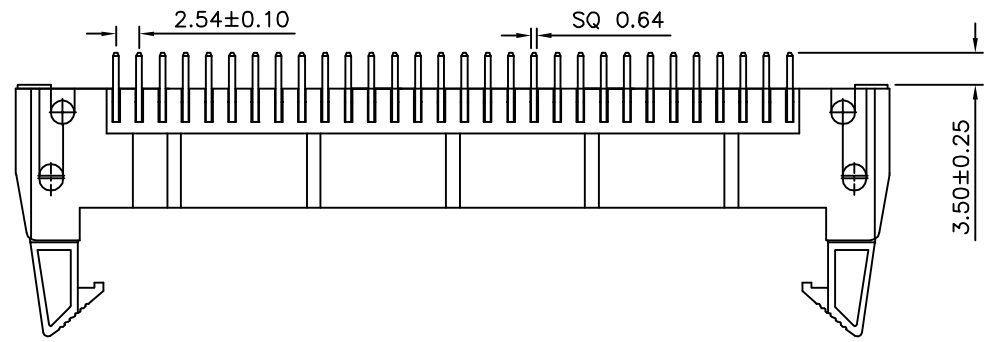
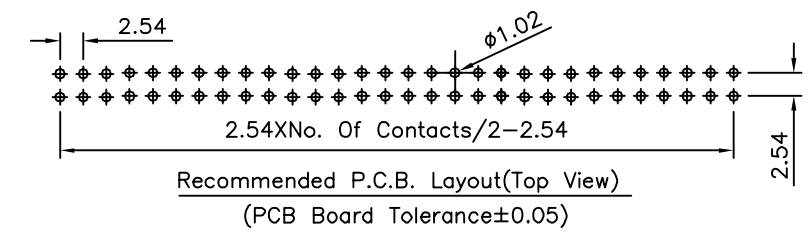


SPECIFICATION
 Current Rating: 3 Amps
 Withstand Voltage: 1000V AC
 Contact Resistance: 20 Milliohms Max.
 Insulation Resistance: 1000 Megaohms Min.
 Operation Temperature: -40°C ~ +105°C
 ⚠ Insulator: PBT(UL94V-0), Gray
 Contact: Brass, Gold Flash Over Nickel
 Only 60P~64P With Slot "A"
 Less Than 18 Pin Without Slot "B"
 RoHS Compliant



4UCON 元化興業股份有限公司
 4UCON TECHNOLOGY INC.

DRAWING No.		APPROVED BY		UNLESS OTHERWISE SPECIFIED TOLERANCES ARE X. ± 0.25 X.' $\pm 2^\circ$.X ± 0.20 .X' $\pm 1.5^\circ$.XX ± 0.15 .XX' $\pm 1^\circ$.XXX ± 0.10 .XXX' $\pm 0.5^\circ$
22080		MEI		
		CHECKED BY		
		HZF		
		DRAWING BY		UNIT mm
		CYP		
SCALE	NONE	REV.	B1	

NO. REV.				
⚠ B1	Modify Data	HZF	03/21/2016	
⚠ B0	NEW RELEASE	HZF	05/14/2015	
	REVISIONS	CHK	DATE	