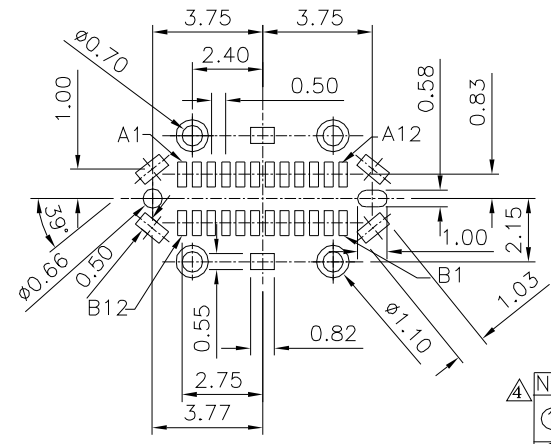
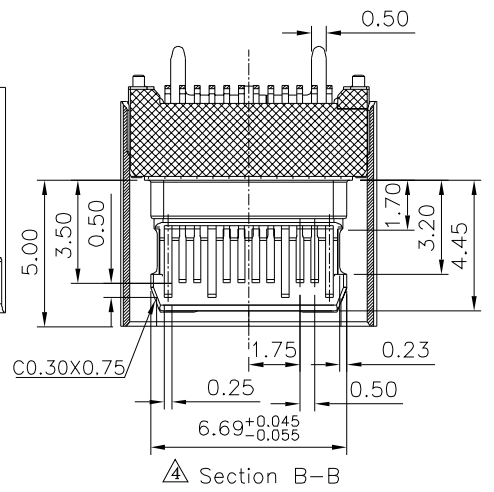
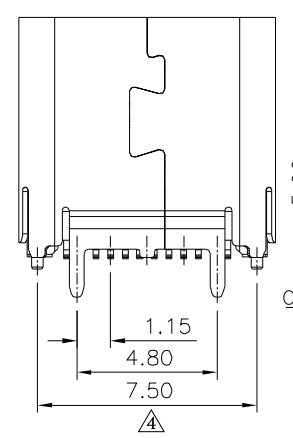
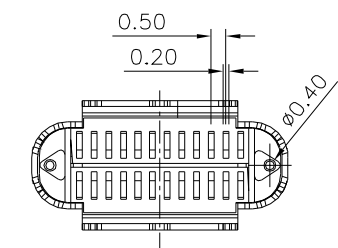
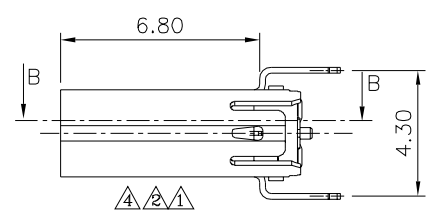
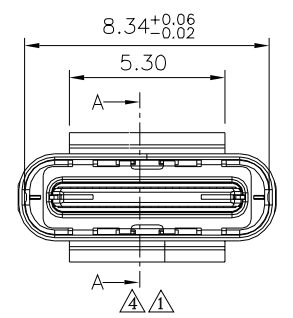


SPECIFICATION
 Current Rating:5 Amp Max.
 Voltage Rating:30V Max.
 Withstand Voltage:100V AC
 Contact Resistance:40 Milliohms Max.
 Insulation Resistance:100 Megaohms Min.
 Temperature Range:-55°C~+85°C
 Insertion Force:5N~20N
 Withdrawal Force:8N~20N
 Durability:10000 Cycles
 RoHS Compliant



Pin	Top	Pin	Bottom
A1	GND	B12	GND
A2	TX1+	B11	RX1+
A3	TX1-	B10	RX1-
A4	VBUS	B9	VBUS
A5	CC1	B8	SUB2
A6	D+	B7	D-
A7	D-	B6	D+
A8	SUB1	B5	CC2
A9	VBUS	B4	VBUS
A10	RX2-	B3	TX2-
A11	RX2+	B2	TX2+
A12	GND	B1	GND

No.	Description	Q'ty	Material	Remark
①	Contact	24	Copper Alloy	Gold Flash On Contact Area, Tin Plated On Solder Tails, Over Nickel
②	Mid-Plate	1	Stainless Steel	Nickel Plated
③	EMI Pad	1	Stainless Steel	Nickel Plated
④	Shell	1	Stainless Steel	Nickel Plated
⑤	Over-Molding	1	LCP(UL94V-0)	Black
⑥	Cap	1	PA9T(UL94V-0)	Black

4UCON 元化興業股份有限公司
 4UCON TECHNOLOGY INC.

DRAWING No. 22084		APPROVED BY MEI		UNLESS OTHERWISE SPECIFIED TOLERANCES ARE X. ±0.30 X* ±5* .X ±0.25 .X* ±4* .XX ±0.20
		CHECKED BY HZF		
		DRAWING BY CYP		
SCALE	NONE	REV.	A4	UNIT mm

No.	REV.	DESCRIPTION	CHK	DATE
④	A4	Modify Data	HZF	04/03/2021
③	A3	Modify Data	HZF	06/12/2019
②	A2	Modify Data	HZF	06/08/2018
①	A1	Modify Data	HZF	06/16/2017
①	A0	NEW RELEASE	HZF	02/19/2016