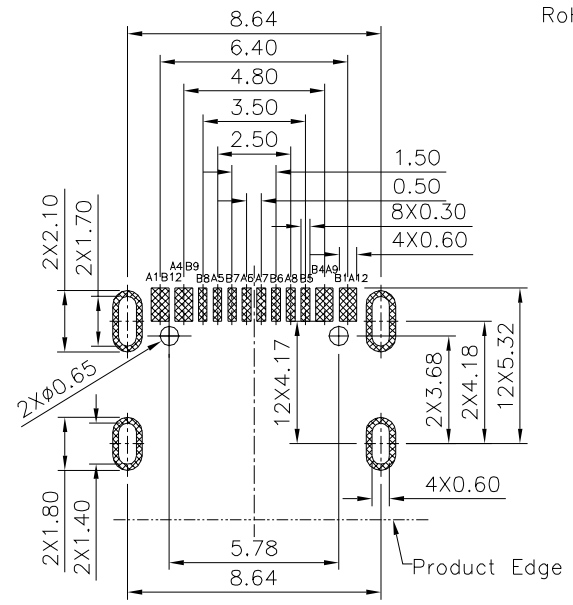
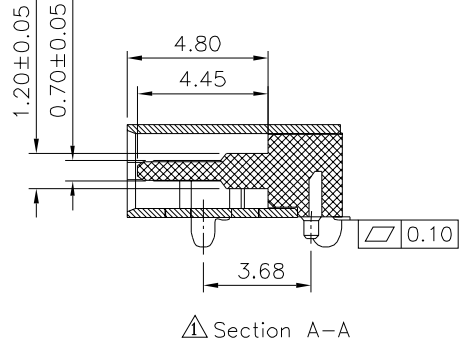
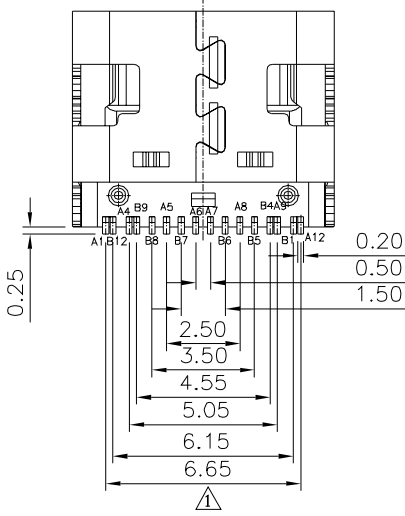
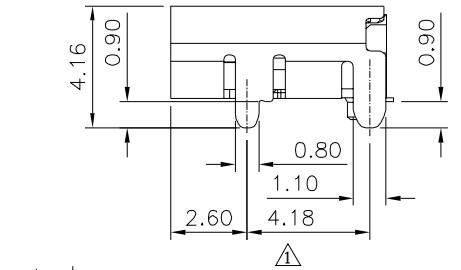
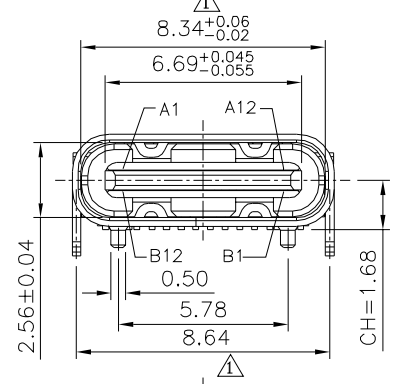


**△SPECIFICATION**

- Current Rating:5.0A
  - Voltage Rating:5.0V
  - Durability:10000 Cycles
  - Vbus & Gnd Pins And Other Pins:40 Milliohms/Pin Max.
  - Shield:50 Milliohms/Max.
  - LLCR Max. Change Of All Pins:10 Milliohms
  - Insulation Resistance:100 Megaohms Min.
  - Dielectric Withstand Voltage:100V AC For 1 Minute.
  - Operating Temperature:-25°C~+85°C
  - ④ Front Shell:Stainless Steel,Nickel Plated Over All
  - ③ Mid Plate:Stainless Steel,Clear Only
  - ② Contacts:Copper Alloy,Gold Flash On Contact Area, Gold Flash On Solder Tails,Over Nickel
  - ① Housing:LCP(UL94V-0),Black
- RoHS Compliant



Recommended P.C.B. Layout(Top View)  
(PCB Board Tolerance±0.05)Thickness0.80mm

**USB Type-C Pin Assignments**

Pin Number	Signal Name	Pin Number	Signal Name
A1	GND	B12	GND
A4	VBUS	B9	VBUS
A5	CC1	B8	SBU2
A6	Dp1	B7	Dn2
A7	Dn1	B6	Dp2
A8	SBU1	B5	CC2
A9	VBUS	B4	VBUS
A12	GND	B1	GND

**4UCON** 元化興業股份有限公司  
4UCON TECHNOLOGY INC.

DRAWING No. 22123  
SCALE NONE

APPROVED BY MEI  
CHECKED BY HZF  
DRAWING BY CYP  
REV. A1

UNLESS OTHERWISE SPECIFIED TOLERANCES ARE  
.X ±0.38 .X\* ±2.0°  
.XX ±0.25 .XX\* ±1.0°  
.XXX ±0.13 .XXX\* ±0.5°

NO.	REV.	REVISIONS	CHK	DATE
△A1		Modify Data	HZF	12/25/2020
△A0		NEW RELEASE	HZF	04/31/2018