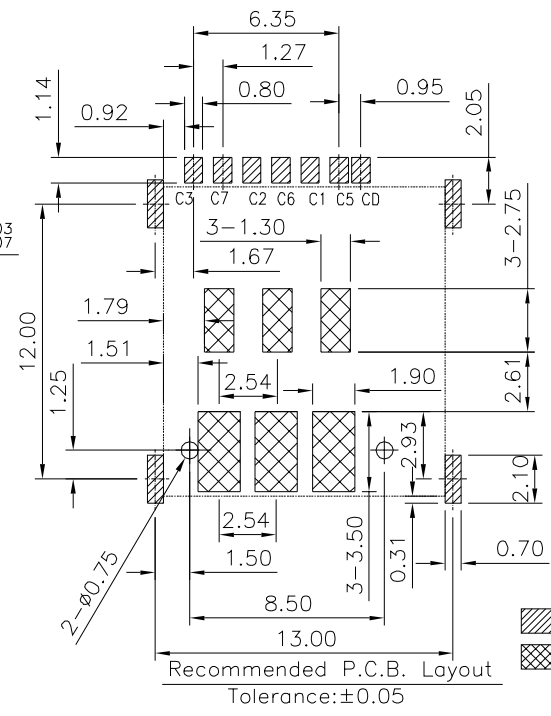
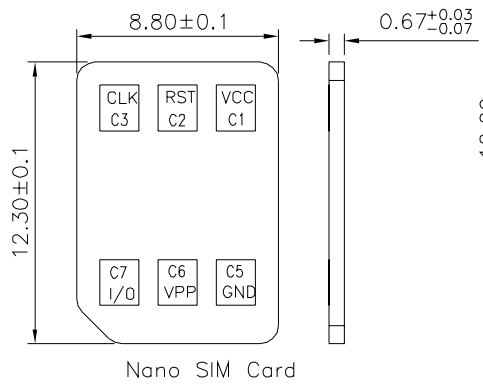


Pin Assignment	
Pin#	Name
C1	VCC
C2	RST
C3	CLK
C5	GND
C6	VPP
C7	I/O



SPECIFICATION

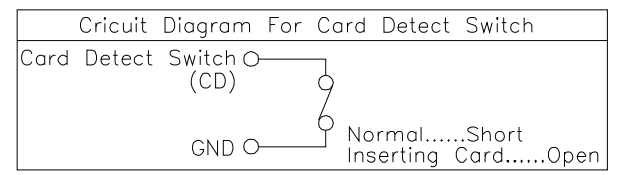
1. Material & Finish
 Insulator: LCP(UL94V-0), Black
 Contact: Phosphor Bronze, Gold Flash On Contact Area, Gold Flash On Solder Tails, Over Nickel
 Shell: Stainless Steel
 Gold Flash On Solder Tails, Over Nickel

2. Electrical Characteristics
 Current Rating: 0.5A
 Voltage Rating: 50V
 Withstanding Voltage: 500V AC
 Contact Resistance: 100 Milliohms Max.
 Insulation Resistance: 1000 Megohms Min./500V DC

3. Mechanical Characteristics
 Life Cycles: 3000 Cycles Min.

4. Environmental Characteristics
 Operation Temperature: -40°C ~ +85°C

5. RoHS Compliant



▨ Pad Area
 ▩ Keep Out Area (No Solder Paste)

4UCON 元化興業股份有限公司
 4UCON TECHNOLOGY INC.

DRAWING No.		APPROVED BY		UNLESS OTHERWISE SPECIFIED TOLERANCES ARE .X ±0.30 .XX ±0.20 .XXX ±0.10 X.° ±2°
22177		MEI		
		HZF		
		DRAWING BY		
		CYP		
SCALE	NONE	REV.	B0	UNIT mm

BO	NEW RELEASE	HZF	04/03/2022
NO. REV.	REVISIONS	CHK	DATE