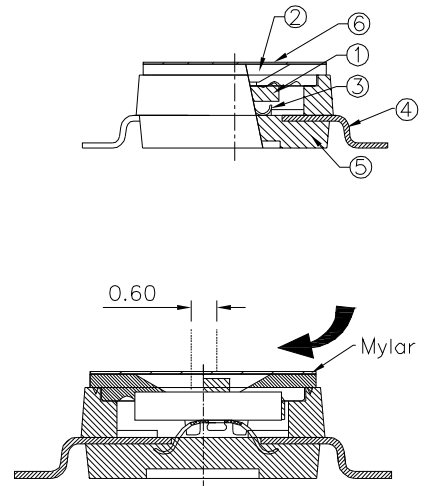
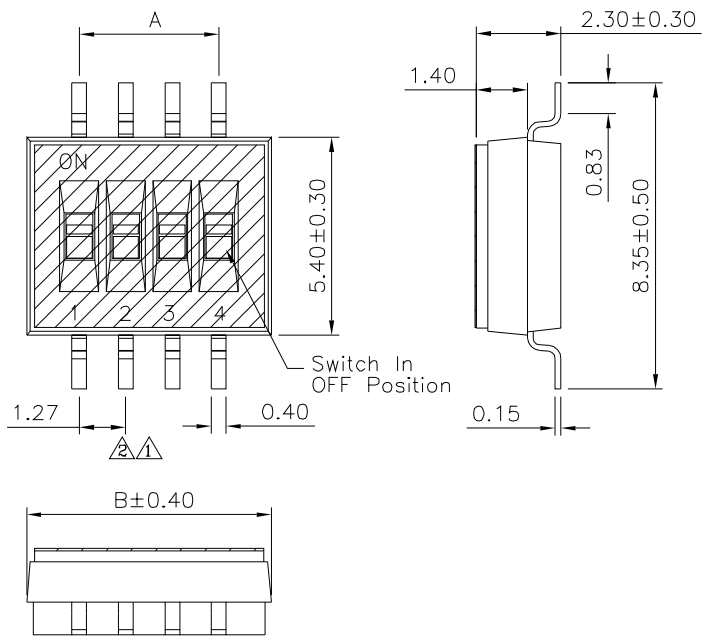


△ SPECIFICATION

Current Rating: Non-Switching: DC 50V 100mA
 Switching: DC 24V 25mA
 Contact Resistance: 50 Milliohms Max.
 Insulation Resistance: 100 Megaohms Min.
 Withstand Voltage: 500V AC (50Hz Or 60Hz) For One Minute
 Operation Temperature: -40°C ~ +85°C
 RoHS Compliant



| Pin | A | B |
|-----|-------|-------|
| 02 | 1.27 | 4.14 |
| 03 | 2.54 | 5.41 |
| 04 | 3.81 | 6.68 |
| 05 | 5.08 | 7.95 |
| 06 | 6.35 | 9.22 |
| 08 | 8.89 | 11.29 |
| 10 | 11.43 | 13.83 |

| △ No. | Description | Material | Remark |
|-------|-------------|-----------------|------------------------|
| ① | Actuator | LCP | White |
| ② | Cover | PPS | Black |
| ③ | Contact | Phosphor Bronze | Gold Flash Over Nickel |
| ④ | Terminal | Brass | Gold Flash Over Nickel |
| ⑤ | Base | PPS | Black |
| ⑥ | Mylar | Kapton | |

4UCON 元化興業股份有限公司
 4UCON TECHNOLOGY INC.

| | | | | |
|-------------|--|-------------|--|--|
| DRAWING No. | | APPROVED BY | | UNLESS OTHERWISE SPECIFIED TOLERANCES ARE .X ±0.3 .XX ±0.3 |
| 22232 | | MEI | | |
| | | CHECKED BY | | |
| SCALE | | REV. | | UNIT |
| NONE | | A2 | | mm |

| NO. | REV. | REVISIONS | CHK | DATE |
|------|------|-------------|-----|------------|
| △ A2 | | Modify Data | HZF | 07/09/2024 |
| △ A1 | | Modify Data | HZF | 03/14/2022 |
| △ A0 | | NEW RELEASE | HZF | 07/12/2021 |