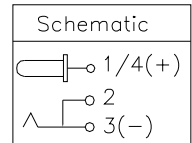
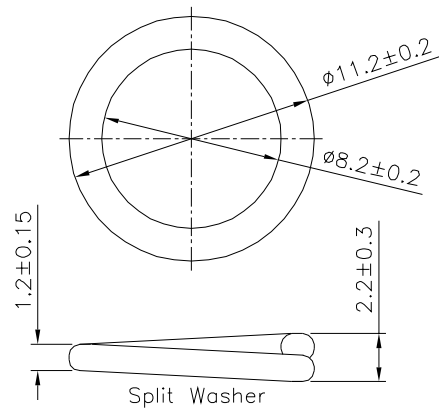
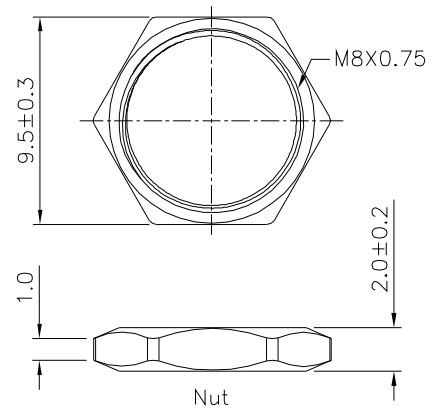
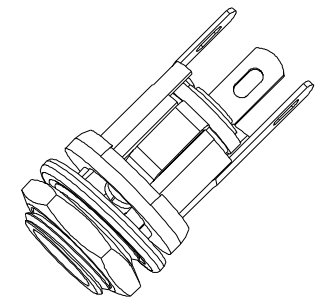
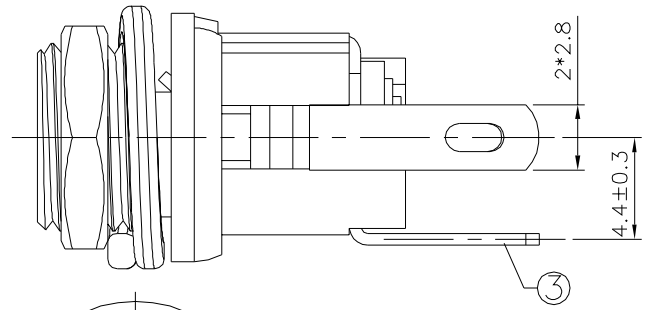
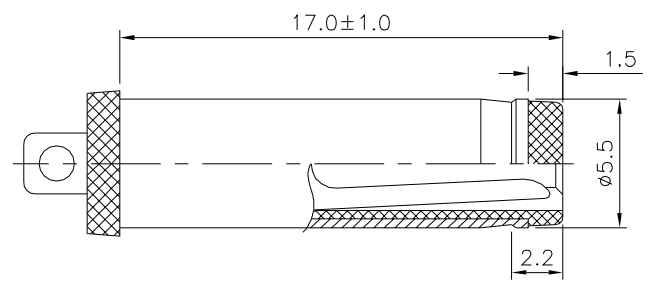


**SPECIFICATION**

Rating:DC 30V 3.0A  
 Withstanding Voltage:500V AC  
 Contact Resistance:30 Milliohms Max.  
 Insulation Resistance:100 Megaohms Min.(DC 250V)  
 RoHS Compliant

Pin Diameter	Item No.
Pin $\phi$ 2.0	22249
Pin $\phi$ 2.5	22253



No.	Description	Q'ty	Material	Remark
①	1# Curve Piece	1	Brass	Tin Plated
②	2# Curve Piece	1	Brass	Tin Plated
③	Spring	1	Bronze	Tin Plated
④	Pin	1	Brass	Nickel Plated
⑤	Axis Support	1	Brass	Nickel Plated
⑥	Housing	1	PBT	
⑦	Nut	1	Brass	Nickel Plated
⑧	Split Washer	1	Steel	Nickel Plated

**4UCON** 元化興業股份有限公司  
 4UCON TECHNOLOGY INC.

DRAWING No.		APPROVED BY		UNLESS OTHERWISE SPECIFIED TOLERANCES ARE .X $\pm$ 0.15 ANG. $\pm$ 1.5°
22249		MEI		
		CHECKED BY		
DRAWING BY		HAO		
SCALE	NONE	REV.	A3B	UNIT mm

NO.	REV.	REVISIONS	CHK	DATE
△	A3B	Modify Data	HZF	02/08/2022
△	A3A	NEW RELEASE	HZF	01/12/2022