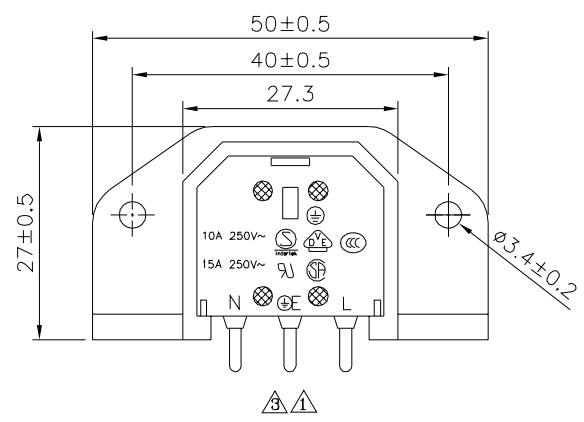
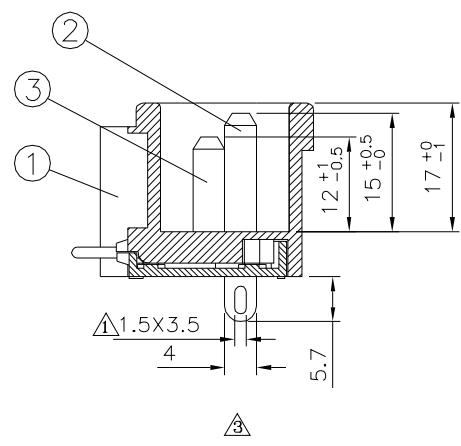
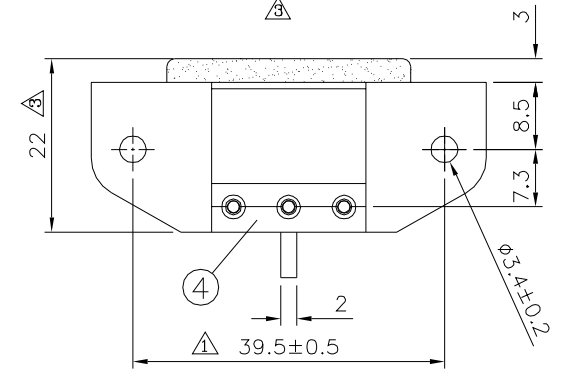


Recommended P.C.B. Layout



SPECIFICATION
 Standard IEC 320 C14
 Rating: 15A 250V AC
 Approvals: UL/CSA
 Rating: 10A 250V AC
 Approvals: VDE/SEMKO/CCC
 RoHS Compliant

④	Cover	PBT	—	1
③	Contact-B	Brass	Tin Plated	2
②	Contact-A	Brass	Tin Plated	1
①	Body	PBT	Black	1
No.	Name	Material	Remark	Q'ty

4UCON 元化興業股份有限公司
 4UCON TECHNOLOGY INC.

DRAWING No. 22294		APPROVED BY EMILY		UNLESS OTHERWISE SPECIFIED TOLERANCES ARE X. ±0.4 .X ±0.3 .XX ±0.1 ANG. ±1°
		CHECKED BY HZF		
		DRAWING BY SAN		
SCALE	NONE	REV.	A3	UNIT mm

④	A3	Modify Data	HZF	03/25/2022
④	A2	Modify Data	HZF	05/05/2014
④	A1	Modify Data	HZF	06/24/2010
④	A0	NEW RELEASE		
NO. REV.	REVISIONS		CHK	DATE