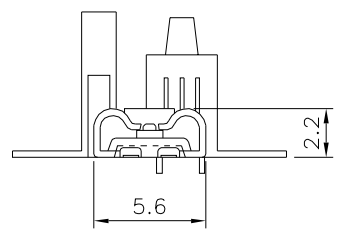
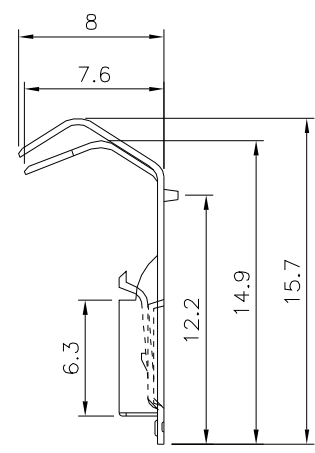
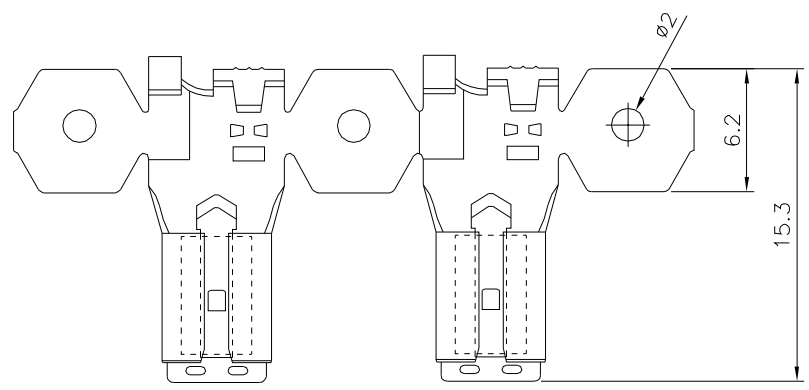


SPECIFICATION
 Material: Brass, Tin Plated
 Wire Range: #16~22 AWG (0.3~1.4mm²)
 Thickness: 0.30mm
 Q'ty: Reel 5000PCS/Reel
 RoHS Compliant



4UCON 元化興業股份有限公司
 4UCON TECHNOLOGY INC.

| | | | | |
|-------------|------|-------------|----|--|
| DRAWING No. | | APPROVED BY | | UNLESS OTHERWISE SPECIFIED TOLERANCES ARE 0~6 ±0.20 6~18 ±0.30 18~30 ±0.40 30~75 ±0.50 |
| 22397 | | MEI | | |
| | | CHECKED BY | | |
| DRAWING BY | | LZX | | |
| SCALE | NONE | REV. | A0 | UNIT mm |

| | | | | |
|------|------|-------------|-----|------------|
| NO. | REV. | REVISIONS | CHK | DATE |
| △ A0 | | NEW RELEASE | HZF | 04/17/2022 |