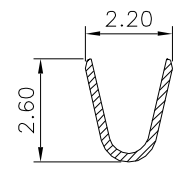
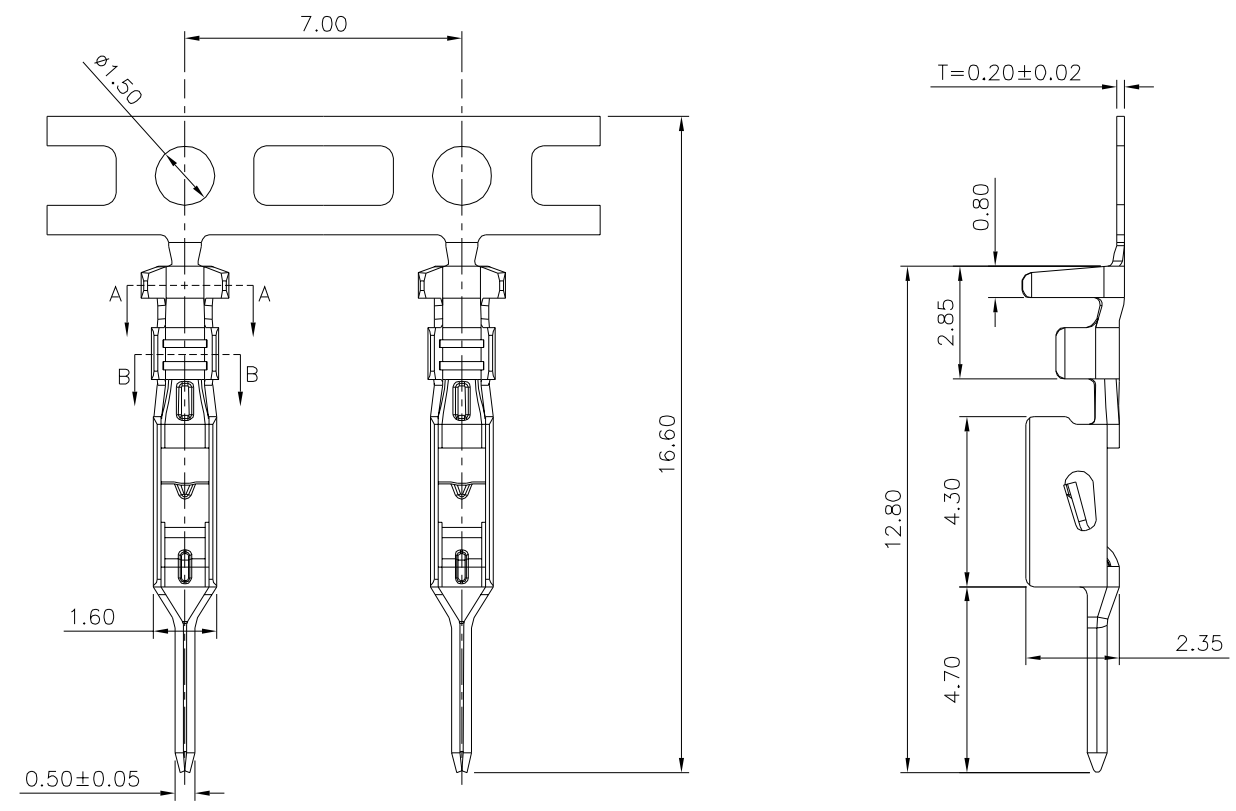
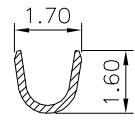


SPECIFICATION
 Material: Brass, Tin Plated Over Nickel
 Wire Range: AWG#22~24
 O' D: 1.30mm Max.
 Q'ty: 10000 Pcs/Reel
 RoHS Compliant



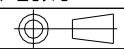
Section A-A



Section B-B

4UCON 元化興業股份有限公司
 4UCON TECHNOLOGY INC.

DRAWING No.		APPROVED BY		UNLESS OTHERWISE SPECIFIED TOLERANCES ARE X. ± 0.35 .X ± 0.30 .XX ± 0.20 .XXX ± 0.10
22419		MEI		
		CHECKED BY	HZF	
		DRAWING BY	LZX	
SCALE	NONE	REV.	A0	UNIT mm



NO.	REV.	REVISIONS	CHK	DATE
△ A0		NEW RELEASE	HZF	11/26/2021