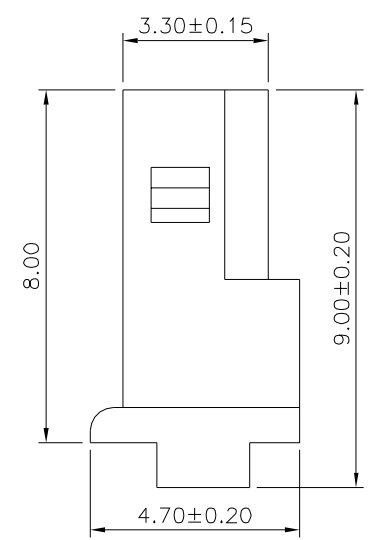
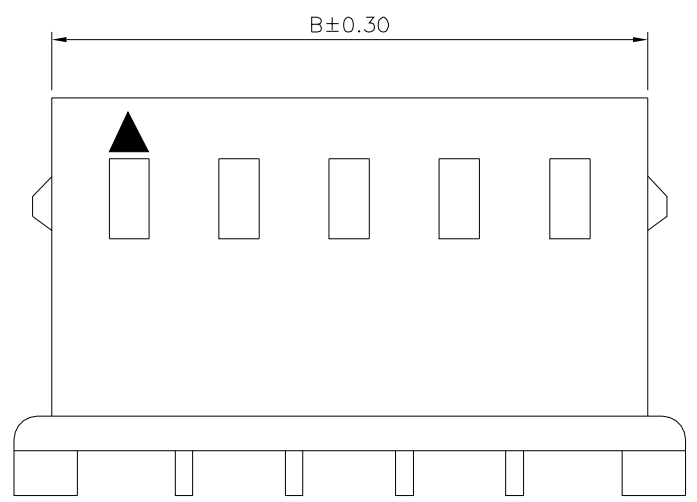
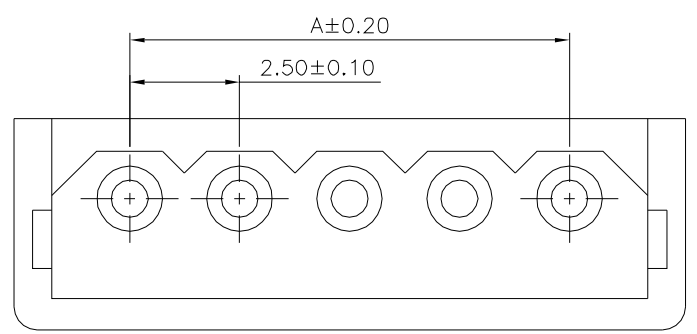


SPECIFICATION

Current Rating:3A AC/DC
 Voltage Rating:250V AC/DC
 Withstand Voltage:1000V AC/Minute
 Contact Resistance:20 Milliohms Max.
 Insulation Resistance:1000 Megaohms Min.
 Temperature Range:-25°C~+85°C
 Insulator:PA66(UL94V-0)
 RoHS Compliant



Pin	A	B
02	2.50	5.80
03	5.00	8.30
04	7.50	10.80
05	10.00	13.30
06	12.50	15.80
07	15.00	18.30
08	17.50	20.80
09	20.00	23.30
10	22.50	25.80
11	25.00	28.30
12	27.50	30.80
13	30.00	33.30
14	32.50	35.80
15	35.00	38.30
16	37.50	40.80

4UCON 元化興業股份有限公司
 4UCON TECHNOLOGY INC.

DRAWING No.		APPROVED BY		UNLESS OTHERWISE SPECIFIED TOLERANCES ARE X. ± 0.30 .X ± 0.25 .XX ± 0.20 .XXX ± 0.015
22424		EMILY		
		CHECKED BY		
		HZF		
DRAWING BY		GAO		UNIT
SCALE	NONE	REV.	A0	mm

NO.	REV.	DESCRIPTION	CHK	DATE
△ A0		NEW RELEASE	HZF	12/20/2012
		REVISIONS		