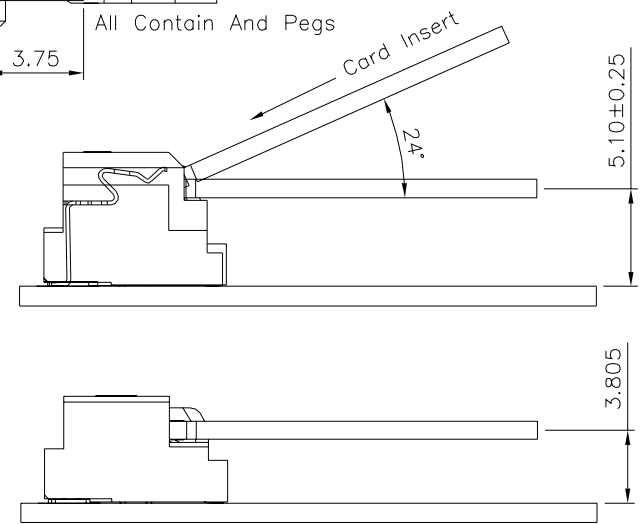
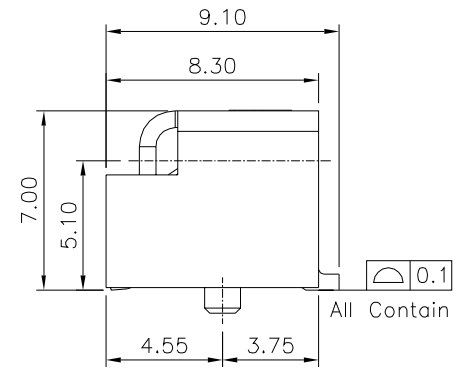
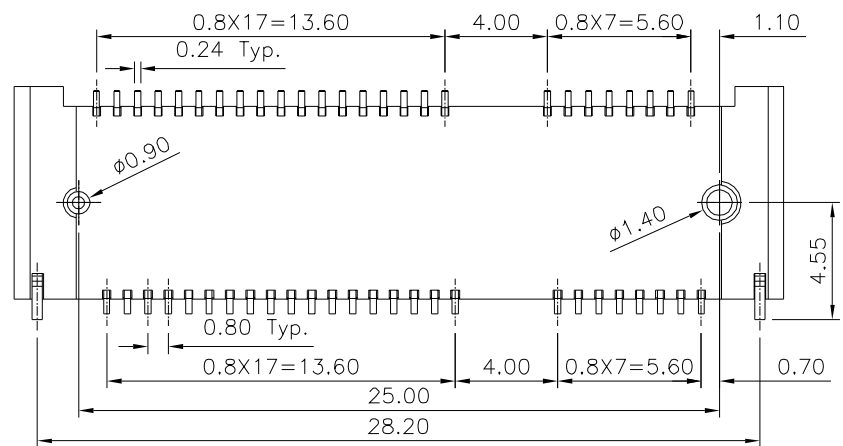
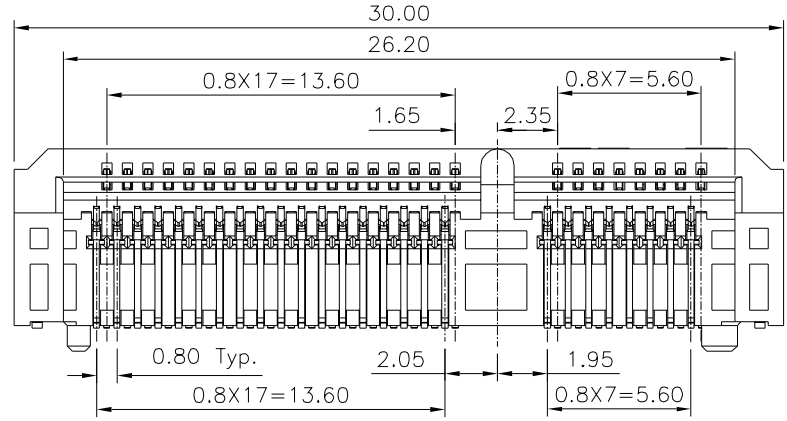
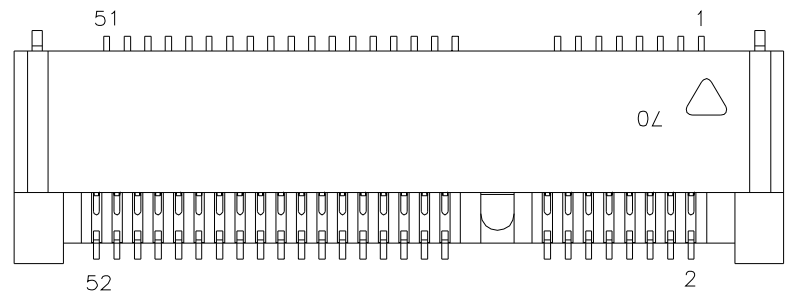


SPECIFICATION
 Body:LCP(UL94V-0),Black
 Contact:Phosphor Bronze,Gold Flash Over Nickel
 Hold Down:Brass,Tin Plated
 RoHS Compliant



4UCON 元化興業股份有限公司
 4UCON TECHNOLOGY INC.

DRAWING No.		APPROVED BY		UNLESS OTHERWISE SPECIFIED TOLERANCES ARE X. ±0.50 X.* ±4* .X ±0.35 .X* ±2.0* .XX ±0.20
22577		MEI		
		HZF		
		CYP		
SCALE	NONE	REV.	A0	UNIT
				mm

NO.	REV.	DESCRIPTION	CHK	DATE
△ A0		NEW RELEASE	HZF	03/08/2017
		REVISIONS		