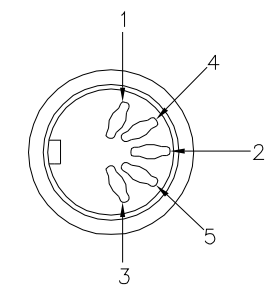
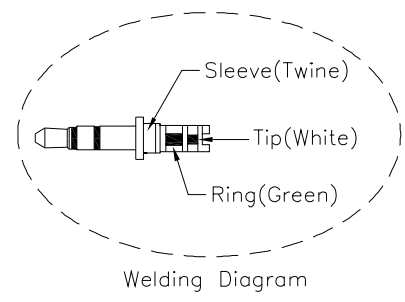
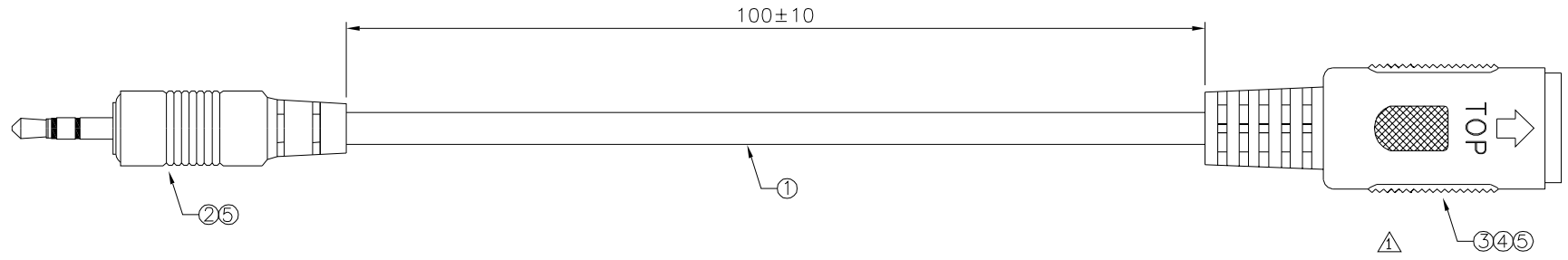


SPECIFICATION
 100% Open Short & Miswire Test
 RoHS Compliant



⑤	Mold	—	40P PVC Outer Mold,Black
④	Mold	—	PE Inner Mold
③	Connector	1Pcs	Din Solder Wire Assembly,5Pin,Female,Black
②	Connector	1Pcs	DC Power Plug 2.5
①	Wire	1Pcs	UL2725 #30 7/0.1TS*0.7*1P White/Green +Twine 64/0.10TS OD3.5mm
No.	Name	Q'ty	Description

4UCON 元化興業股份有限公司
 4UCON TECHNOLOGY INC.

DRAWING No.		APPROVED BY		UNLESS OTHERWISE SPECIFIED TOLERANCES ARE .X ±0.38 .XX ±0.25 ANG.
22611		MEI		
		CHECKED BY	HZF	
		DRAWING BY	LZX	
SCALE	NONE	REV.	A1	UNIT mm

⚠	A1	Modify Data	HZF	12/27/2023
⚠	A0	NEW RELEASE	HZF	12/18/2023
NO.	REV.	REVISIONS	CHK	DATE