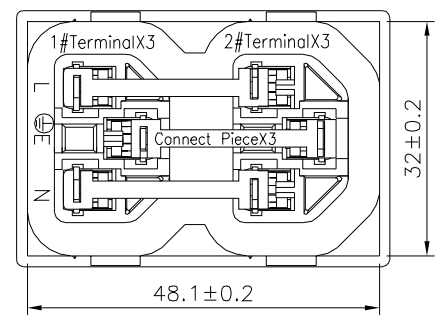
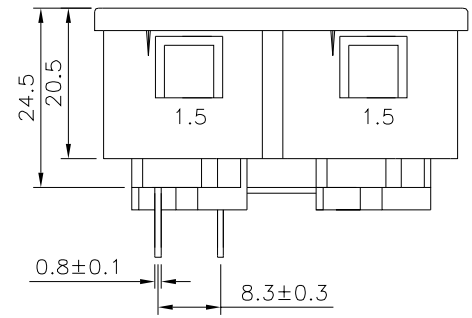
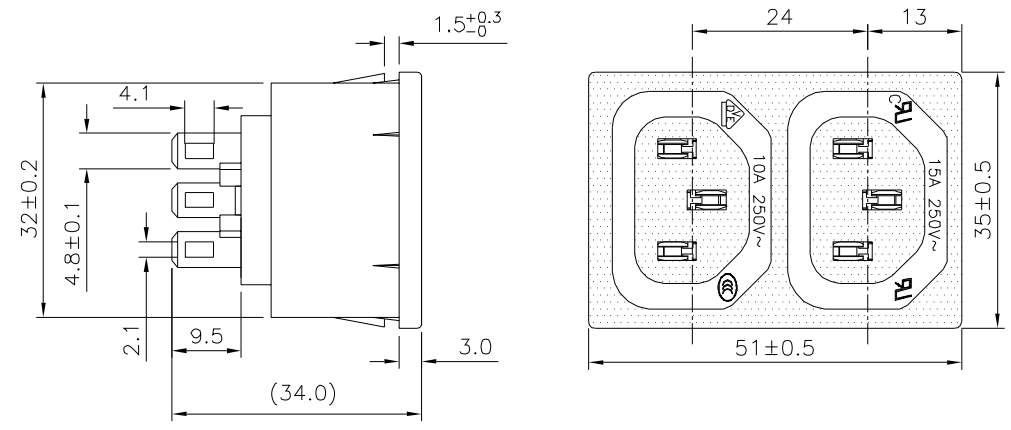


SPECIFICATION

Rating:10A 250V AC(VDE,CCC)
 15A 250V AC(UL,CUL)
 Contact Resistance:50 Milliohms Max.
 Insulation Resistance:>100 Megaohms Min.
 At 500V DC
 Withstand Voltage:>2000V AC 0.5mA 1 Minute
 RoHS Compliant



No.	Name	Material	Remark	Q'ty
①	Housing	PC	(UL94V-2),Black	1
②	1#Terminal	Brass	Tin Plated	3
③	2#Terminal	Brass	Tin Plated	3
④		Brass	Tin Plated	3

4UCON 元化興業股份有限公司
 4UCON TECHNOLOGY INC.

DRAWING No.		APPROVED BY		UNLESS OTHERWISE SPECIFIED TOLERANCES ARE X. ±0.30 .X ±0.20 .XX ±0.10 ANG. ±1°
22712		MEI		
		CHECKED BY	HZF	
SCALE		DRAWING BY	LSM	
NONE	REV.	A0	UNIT	mm

△ A0	NEW RELEASE	HZF	12/28/2023
NO.REV.	REVISIONS	CHK	DATE