

SPECIFICATION

Housing: PA46(UL94V-0), Black

Shield: Brass, Nickel Plated

Contact: Phosphor Bronze

Gold Plated 30u" On Contact Area, Tin

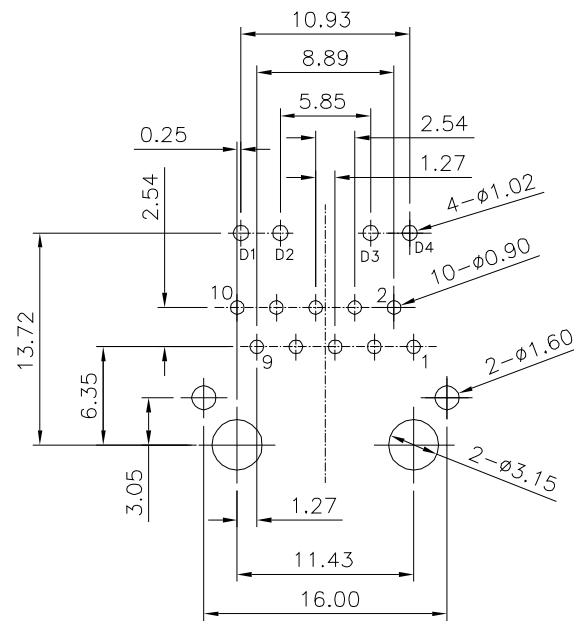
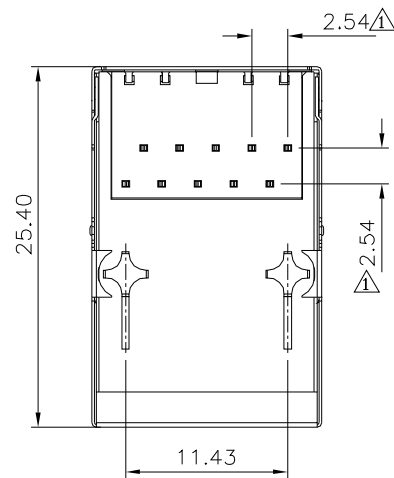
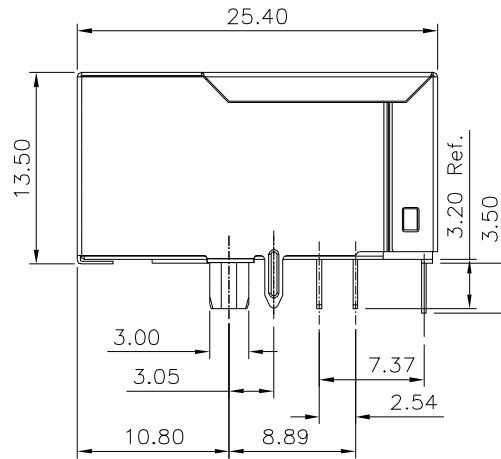
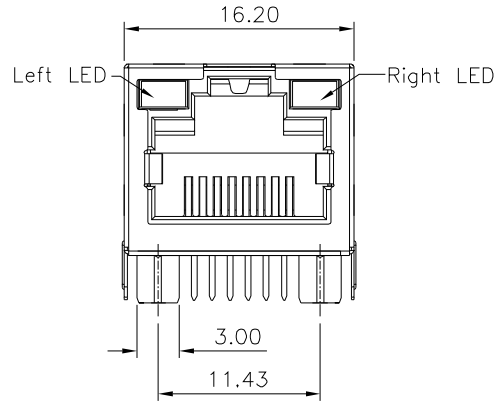
Plated On Solder Tails, Over Nickel

Operation Temperature: -0°C~+70°C

Cavity Conforms To FCC Rules And Regulations

Part 68, Subpart F.

RoHS Compliant



Recommended P.C.B. Layout (Top View)

Item No.	LED Color	
	Left	Right
22721	Yellow/Green	Green

4UCON 元化興業股份有限公司
4UCON TECHNOLOGY INC.

DRAWING No. △△

22721

APPROVED BY

MEI

CHECKED BY

HZF

DRAWING BY

CYP

UNLESS OTHERWISE SPECIFIED TOLERANCES ARE

X: ±0.50
.XX: ±0.38
.XXX: ±0.25
ANG: ±3°

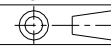
SCALE

NONE

REV.

A2

UNIT
mm



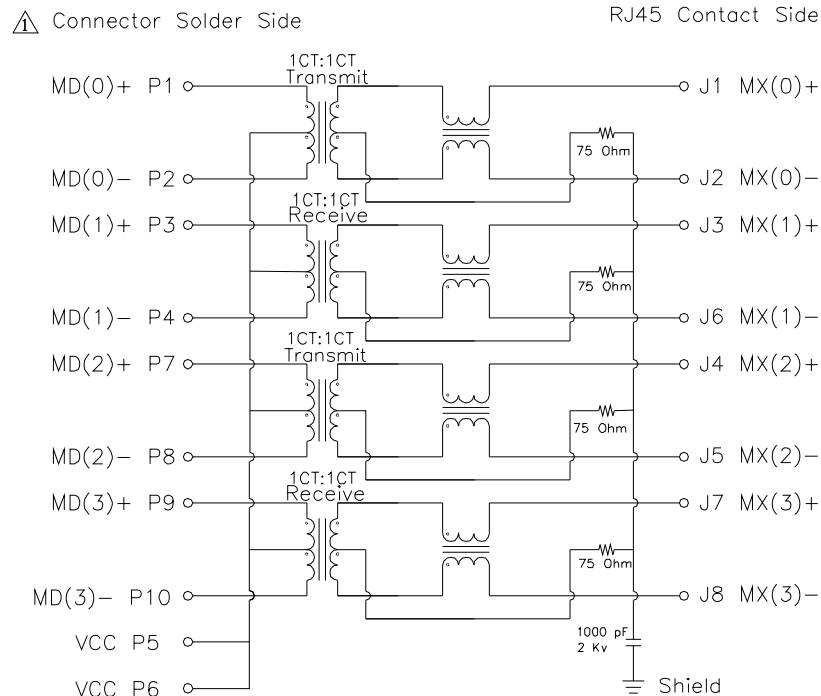
NO. REV.

REVISIONS

CHK

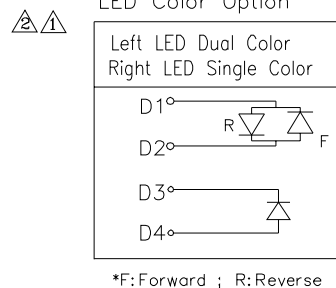
DATE

△A2	Modify Data	HZF	10/19/2022
△A1	Modify Data	HZF	12/13/2021
△A0	NEW RELEASE	HZF	05/17/2020



Electrical SPECIFICATION

- Test Notes:(25±5°C)
- 1.TR:(100KHz,0.1V);
Input To Output=1:1±3%
 - 2.LX:(100KHz,100mV,8mA,DC Bias)
350uH Min.
 - 3.DCR:
1.2 Ohms Max.
 - 4.Hipot:
Input To Output=1500V AC For 60 Seconds
 - 5.Insertion Loss:
-1.0dB Max. At 0.3MHz To 100MHz;
 - 6.Return Loss:
-20dB Min. At 1MHz To 30MHz
-15dB Min. At 30MHz To 60MHz
-10dB Min. At 60MHz To 80MHz
 - 7.Cross Talk
-30dB Min. At 1MHz To 100MHz
 - 8.Common To Common Mode Rejection:
-30dB Min. At 1MHz To 100MHz
- RoHS Compliant



4UCON 元化興業股份有限公司
4UCON TECHNOLOGY INC.

DRAWING No.

22721

SCALE

NONE

APPROVED BY

MEI

CHECKED BY

HZF

DRAWING BY

CYP

UNLESS OTHERWISE SPECIFIED TOLERANCES ARE

X: ±0.50
XX: ±0.38
XXX: ±0.25
ANG: ±0.10
±3°

UNIT mm



	A2	Modify Data	HZF	10/19/2022
	A1	Modify Data	HZF	12/13/2021
	A0	NEW RELEASE	HZF	05/17/2020
NO.	REV.	REVISIONS	CHK	DATE