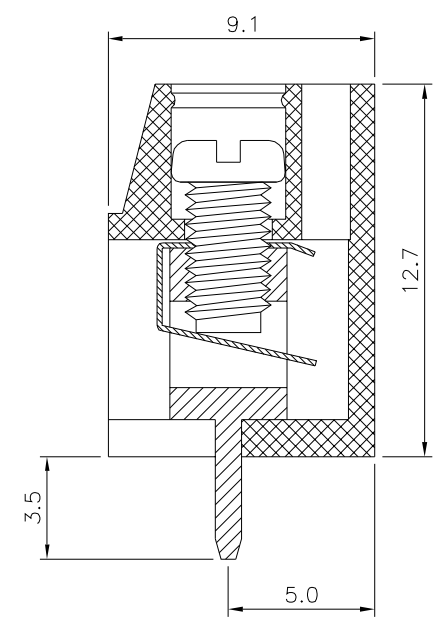
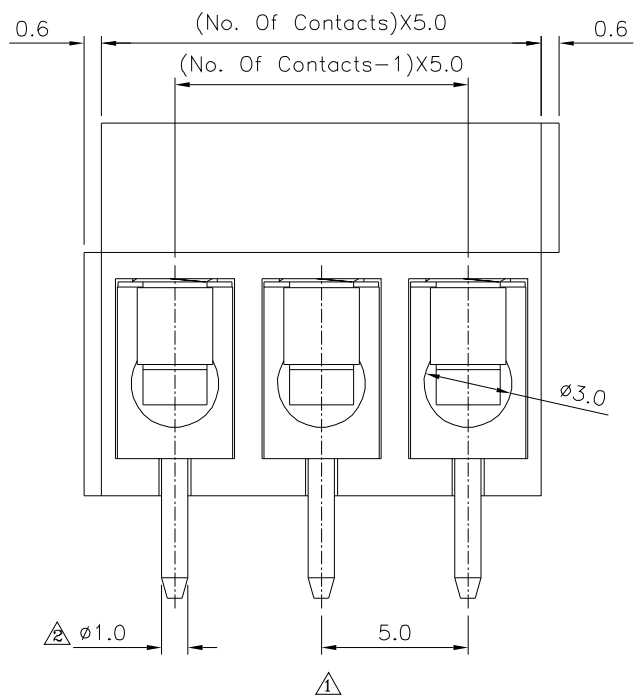


Recommended P.C.B. Layout

△ SPECIFICATION
 Current Rating:15A/Way Max.
 Voltage Rating:250V AC
 Contact Resistance:20 Milliohms Max.
 Withsanding Voltage:2500V AC/Minute
 Torque:4.0kgf.cm/M3.0
 Wire Range:14~24 AWG
 Operation Temperature:-40°C~+105°C
 Insulator:Polyamide(UL94V-0),Blue
 Contact:Copper Alloy,Tin Plated
 Screw:Steel,Galvanized With Cr3+ Plated
 Wire Guard:Stainless Steel
 RoHS Compliant



4UCON 元化興業股份有限公司
 4UCON TECHNOLOGY INC.

DRAWING No.		APPROVED BY		UNLESS OTHERWISE SPECIFIED TOLERANCES ARE X. ±0.50 .X ±0.30 .XX ±0.20 ANG. ±1°
22737		EMILY		
		CHECKED BY HZF		
SCALE		DRAWING BY		UNIT
NONE		WZL		mm
REV.	A2			

NO.	REV.	REVISIONS	CHK	DATE
△2	A2	Modify Data	HZF	11/02/2023
△1	A1	Modify Data	HZF	02/14/2012
△0	A0	NEW RELEASE	HZF	07/18/2011