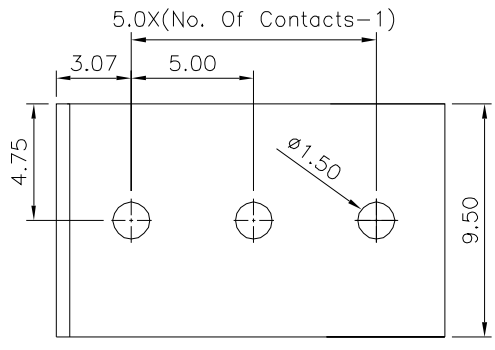
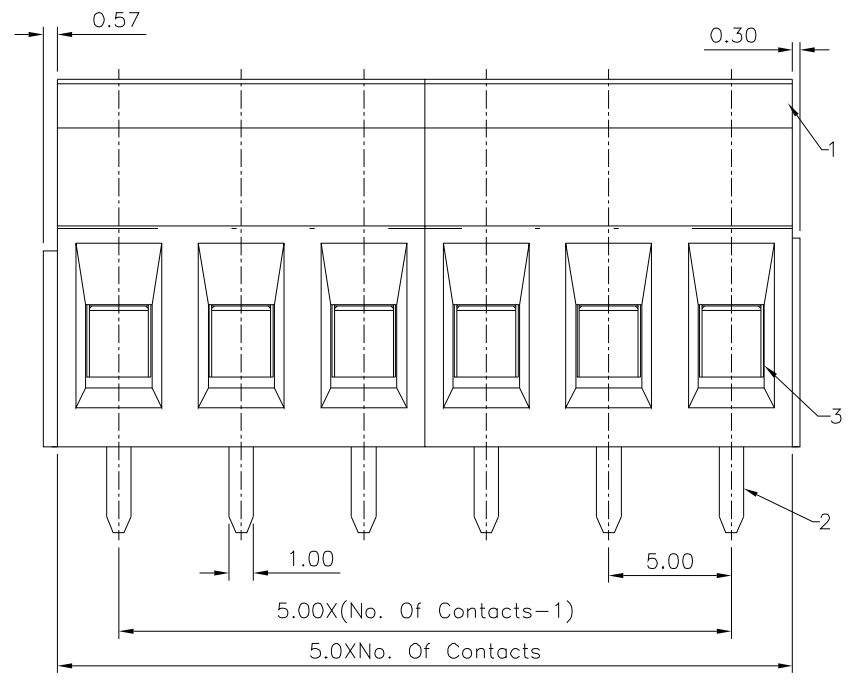
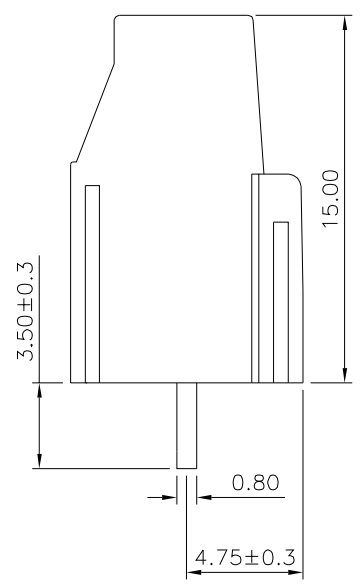
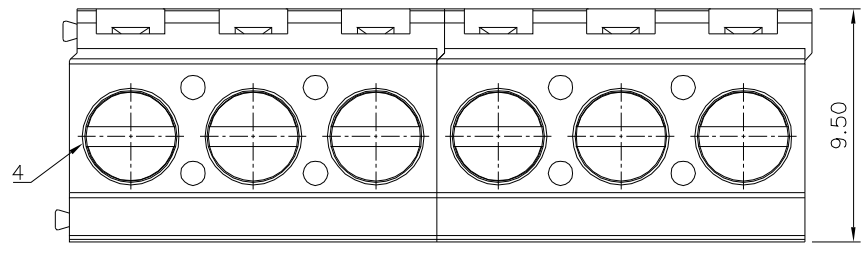


SPECIFICATION
 Current Rating:20A
 Voltage Rating:300V
 Wire Range:30-12AWG
 Withstanding Voltage:1600V/Minute
 Operation Temperature:-40°C~+105°C
 Screw/Torque:M3/0.5N.m Max.
 RoHS Compliant
 * 02~24P Available



Recommended P.C.B. Layout



| Item | Name | Material | Notes |
|------|------------|--------------|------------------|
| 1 | Housing | PA66 | UL94V-0,Black |
| 2 | Header Pin | Copper Alloy | Tin Plated |
| 3 | Cage | Copper Alloy | M3/Nickel Plated |
| 4 | Screw | Steel | M3/Zinc Plated |

4UCON 元化興業股份有限公司
 4UCON TECHNOLOGY INC.

| | | | | |
|-------------|------|-------------|----|--|
| DRAWING No. | | APPROVED BY | | UNLESS OTHERWISE SPECIFIED TOLERANCES ARE 0<L≤6 ±0.20 6<L≤10 ±0.30 10<L≤30 ±0.50 30<L≤60 ±0.70 60<L≤100 ±1.00 100<L≤160 ±1.30 160<L ±1.60 |
| 22750 | | MEI | | |
| | | CHECKED BY | | |
| | | HZF | | |
| | | DRAWING BY | | UNIT mm |
| | | LSM | | |
| SCALE | NONE | REV. | A0 | |

| | | | | |
|------|------|-------------|-----|------------|
| NO. | REV. | REVISIONS | CHK | DATE |
| △ A0 | | NEW RELEASE | HZF | 03/05/2024 |