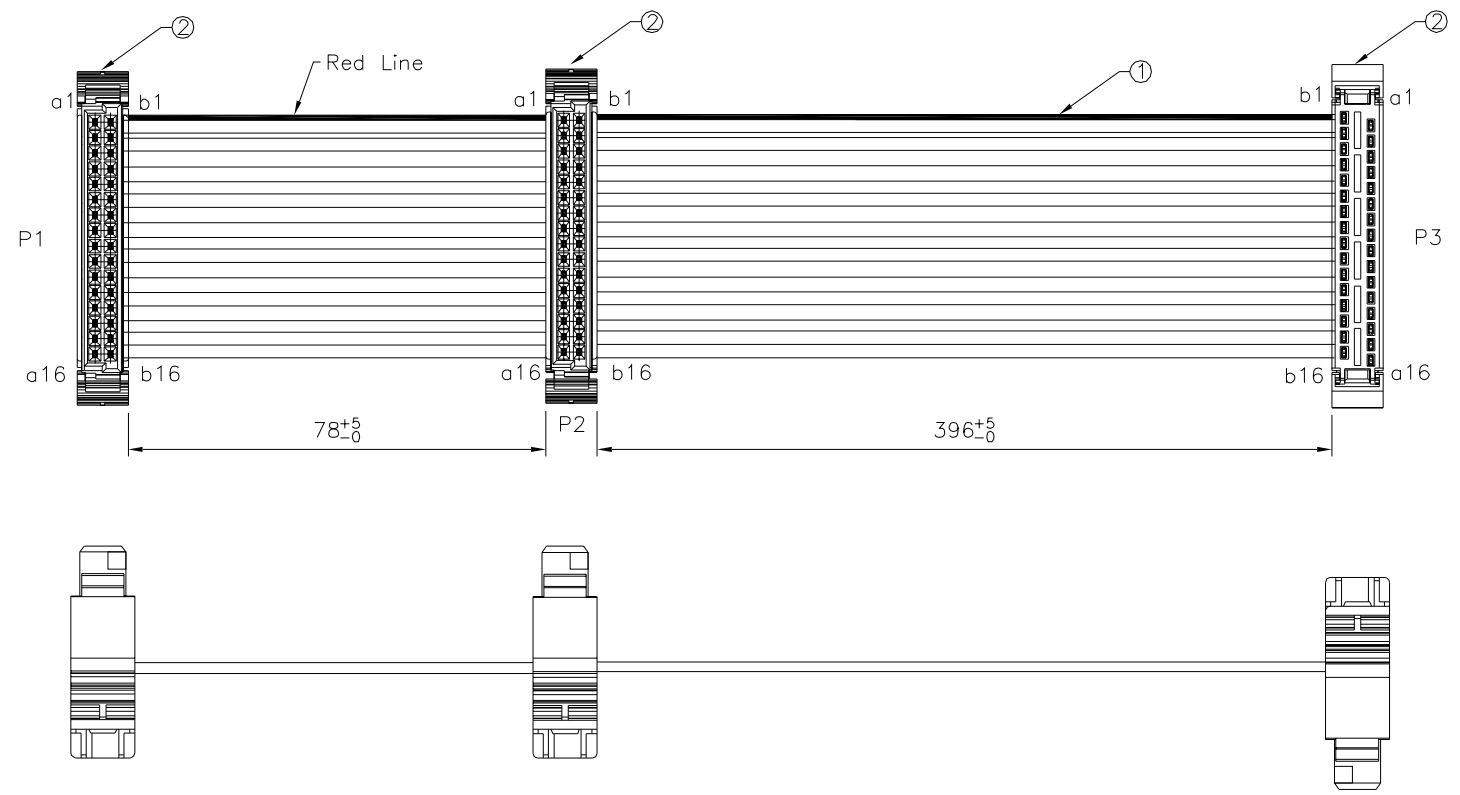


**SPECIFICATION**  
 100% Open/Short  
 Current Rating:0.5A  
 Insulation Resistance:20 Megaohms  
 Contact Resistance:5 Ohms  
 Hi Pot:300V DC  
 RoHS Compliant



Pin Assignment		
P1	P2	P3
b1	b1	b1
a1	a1	a1
b2	b2	b2
a2	a2	a2
.	.	.
.	.	.
.	.	.
b16	b16	b16
a16	a16	a16

No.	Name	Q'ty	Description
①	Wire	1 PCS	UL2678 30AWG(7*0.10),PH0.635mm 32P Gray Flat Cable With Red Line
②	Connector	3 PCS	1.27X1.27mm SDC IDC Socket With SR,32P,LCP,Black

**4UCON** 元化興業股份有限公司  
 4UCON TECHNOLOGY INC.

DRAWING No.		APPROVED BY		UNLESS OTHERWISE SPECIFIED TOLERANCES ARE .X ±0.38 .XX ±0.25
22874		MEI		
		CHECKED BY HZF		
SCALE		DRAWING BY		UNIT mm
NONE		LSM		
REV.	A0	NO.	AO	DATE

△ A0	NEW RELEASE	HZF	04/09/2025
NO.REV.	REVISIONS	CHK	DATE