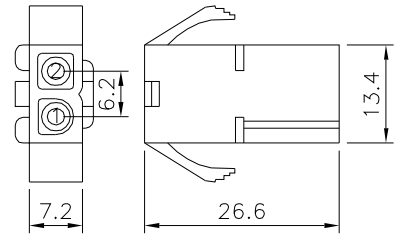
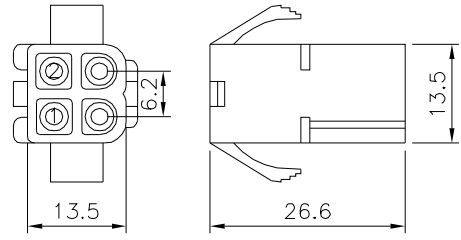


SPECIFICATION

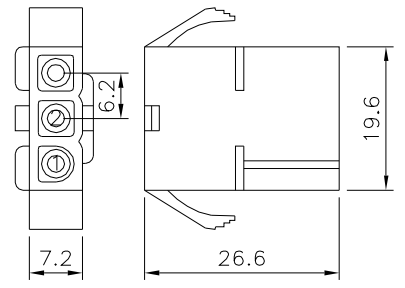
Current Rating:12A AC,DC
 Voltage Rating:600V AC,DC
 Withstanding Voltage:1500V AC/Minute
 Insulation Resistance:1000 Megaohms Min.
 Temperature Range:-25°C~+90°C
 Material:PA66(UL94V-2)
 RoHS Compliant



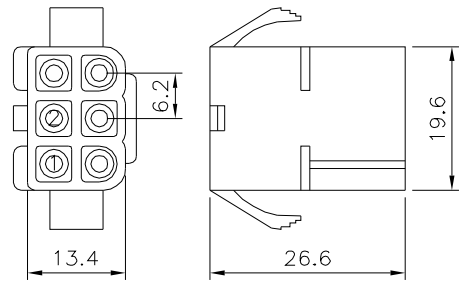
1X02



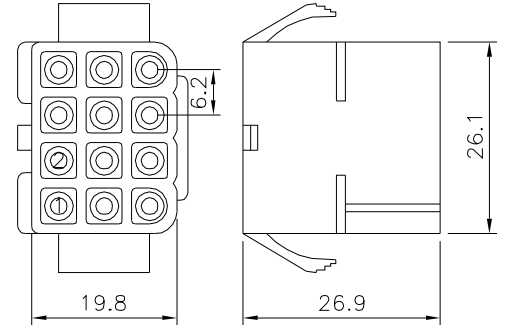
2X02



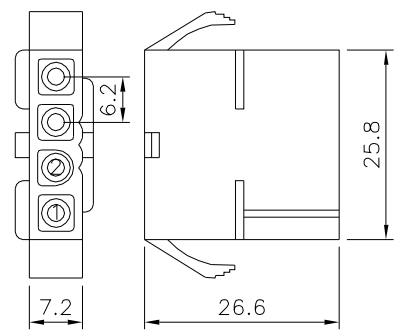
1X03



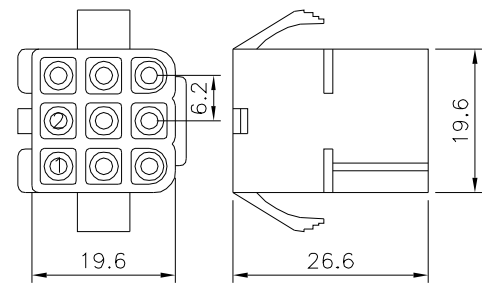
2X03



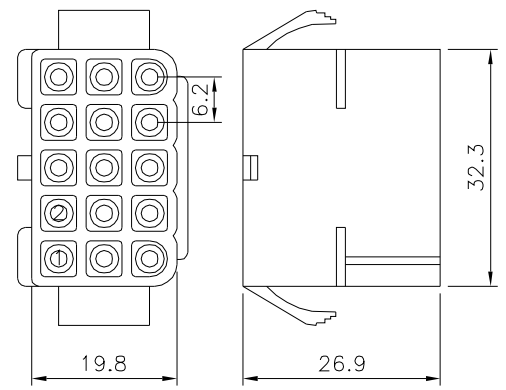
3X04



1X04



3X03



3X05

4UCON 元化興業股份有限公司
 4UCON TECHNOLOGY INC.

| | | | | |
|-------------|------|----------------|----|---|
| DRAWING No. | | APPROVED BY | | UNLESS OTHERWISE SPECIFIED TOLERANCES ARE .X ±0.3 |
| 02444 | | MEI | | |
| | | CHECKED BY HZF | | |
| DRAWING BY | | YBL | | UNIT mm |
| SCALE | NONE | REV. | A2 | |

| | | | | |
|-----|------|-------------|-------|------------|
| NO. | REV. | REVISIONS | CHK | DATE |
| △2 | A2 | Modify Data | HZF | 02/21/2014 |
| △1 | A1 | Modify Data | HZF | 03/15/2011 |
| △0 | A0 | NEW RELEASE | BECKY | 09/16/2005 |