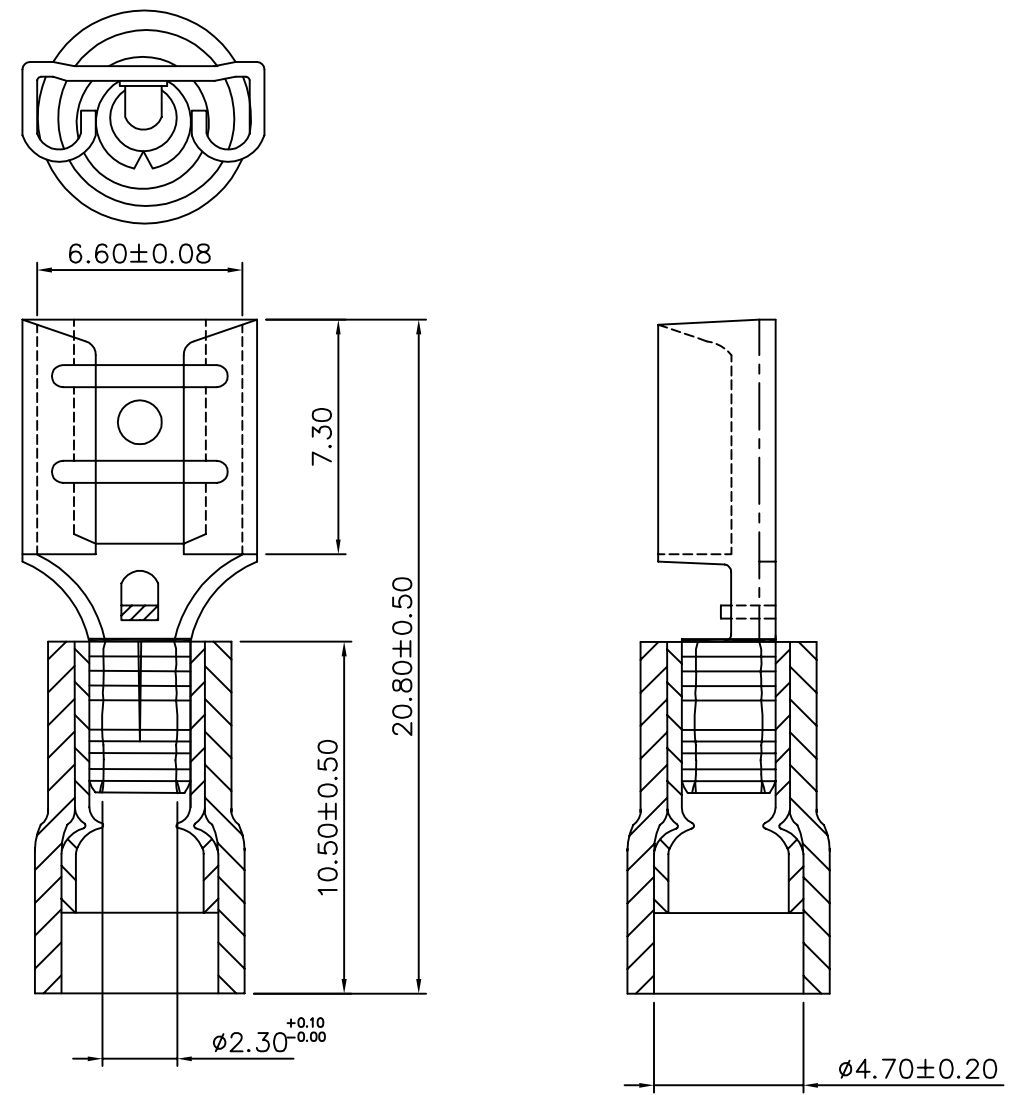


**SPECIFICATIONS**  
 Electric Current : 15A  
 Electrical Rating : 105°C 300V Max.  
 Wire Range : 16-14AWG(0.15~1.5mm<sup>2</sup>)  
 Terminal Material : Brass Tin Plating  
 Thickness: 0.40mm  
 Insulation Material : VINYL,



**4UCON** 元化興業股份有限公司  
 4UCON TECHNOLOGY INC.

DRAWING No.		APPROVED BY		UNLESS OTHERWISE SPECIFIED TOLERANCES ARE .X ±0.38 .XX ±0.25 ANG.
02537		MEI		
		RAN		
		DRAWING BY		
		HZF		
SCALE	NONE	REV.	A	UNIT
				mm

AREA	REVISIONS	CHK	DATE