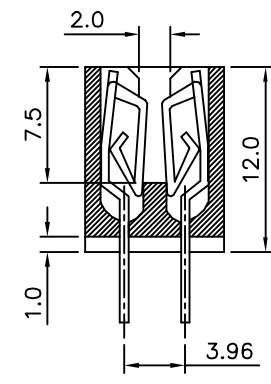
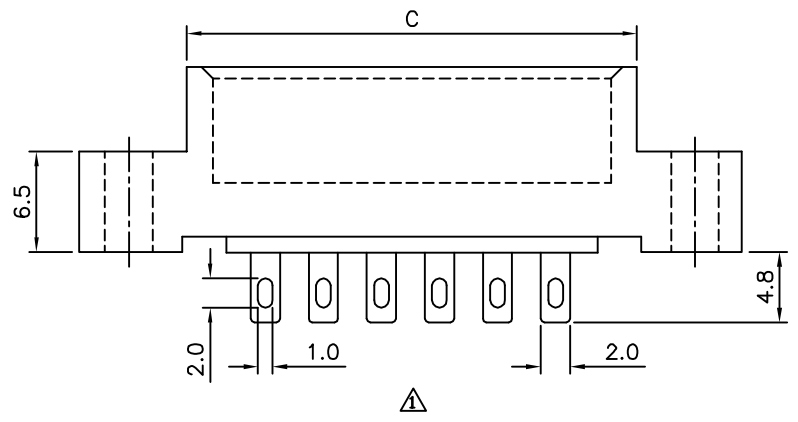
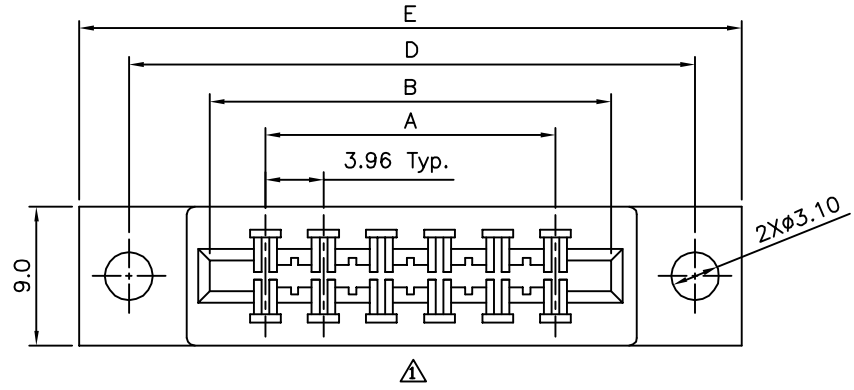


**△ SPECIFICATION**

Current Rating:3 Amp  
 Withstand Voltage:500V For 1 Minute  
 Contact Resistance:20 Milliohms Max.  
 Insulation Resistance:5000 Megaohms Min. At 500V DC  
 Temperature Range:-40°C~+105°C  
 Insulator:PBT+30%G.F.(UL94V-0)  
 Contact:Brass,Gold Plated Over Nickel  
 RoHS Compliant



Pin	A	B	C	D	E
10	15.84	24.06	27.40	34.94	41.24
12	19.80	28.02	31.36	38.90	45.20
16	27.72	35.94	39.28	46.82	53.12
20	35.64	43.86	47.20	54.74	61.04
22	39.60	47.82	51.16	58.70	65.00
24	43.56	51.78	55.12	62.66	68.96
26	47.52	55.74	59.08	66.62	72.92
30	55.44	63.66	67.00	74.54	80.84
32	59.40	67.62	70.96	78.50	84.80
36	67.32	75.54	78.88	86.42	92.72
40	75.24	83.46	86.80	94.34	100.64
44	83.16	91.38	94.72	102.26	108.56
48	91.08	99.30	102.64	110.18	116.48
50	95.04	103.26	106.60	114.14	120.44
56	106.92	115.14	118.48	126.02	132.32
60	114.84	123.06	126.40	133.94	140.24
62	118.80	127.02	130.36	137.90	144.20
64	122.76	130.98	134.32	141.86	148.16
70	134.64	142.86	146.20	153.74	160.04
72	138.60	146.82	150.16	157.70	164.00
86	166.32	174.54	177.88	185.49	191.48

**4UCON** 元化興業股份有限公司  
 4UCON TECHNOLOGY INC.

DRAWING No.		APPROVED BY		UNLESS OTHERWISE SPECIFIED TOLERANCES ARE 0~10 ±0.2 100~300 ±0.5 10~30 ±0.3 300~ ±0.6 30~100 ±0.4 △ ANG. ±0.5
04638		EMILY		
		CHECKED BY		
		HZF		
		DRAWING BY		
		SONG		
SCALE	NONE	REV.	A3	UNIT
				mm

△ A3	Modify Data	HZF	08/10/2013
△ A2	Modify Data	HZF	06/17/2013
△ A1	Modify Data	HZF	10/26/2010
△ A0	NEW RELEASE		
NO. REV.	REVISIONS	CHK	DATE