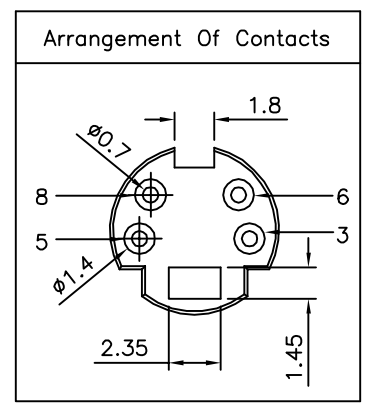
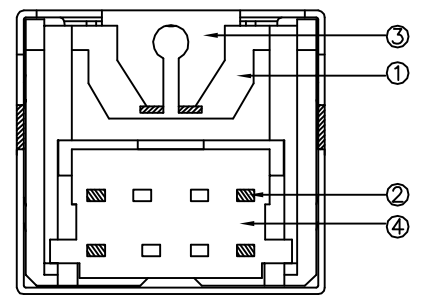


△ SPECIFICATION
 Withstand Voltage:250V AC For 1 Minute
 Contact Resistance:30 Milliohms Max.
 Insulation Resistance:100 Megaohms Min.
 At 500V DC
 Rated Voltage And Current:12V DC,2A Max.
 100V AC,1A Max.
 Durability(Life Test):100 Cycles
 Extracton Force:0.9Kg Min.
 Insertion Force:4.0Kg Max.
 RoHS Compliant

Recommended P.C.B. Layout(Bottom View)



No.	Name	Material	Q'ty	Remark
①	Housing	PBT G.F.	1	Black
②	Contact	Phosphor Bronze	4	Gold Plated On Contact Area Tin Plated On Solder Tail,Under Nickel
③	Shield	Brass	1	Tin Plated
④	Bottom Cover	PBT G.F.	1	Black

4UCON 元化興業股份有限公司
 4UCON TECHNOLOGY INC.

DRAWING No.		APPROVED BY		UNLESS OTHERWISE SPECIFIED TOLERANCES ARE X ±0.38 XX ±0.25 XXX ±0.15 .XXX ±0.05
05215		EMILY		
		CHECKED BY		
		HZF		
		DRAWING BY		
		WSS		
SCALE	NONE	REV.	A1	UNIT
				mm

NO.	REV.	REVISIONS	CHK	DATE
△ A1		Modify Data	HZF	03/04/2011
△ A0		NEW RELEASE		