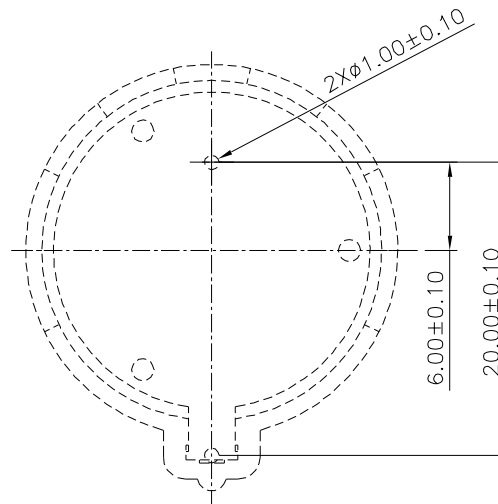
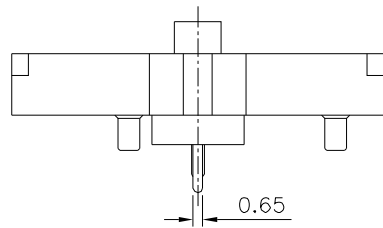
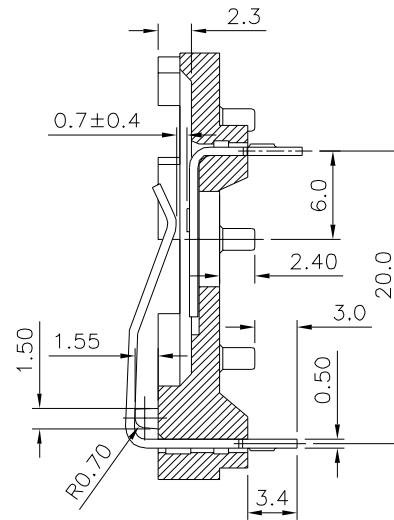
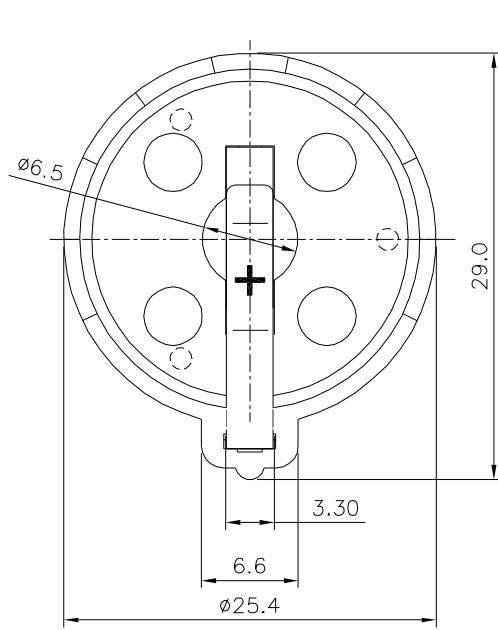


**SPECIFICATION**  
 Housing:PBT+30%G.F.(UL94V-0),Black  
 Contact:Phosphor Bronze,Tin Plated Over Nickel  
 Battery Dim.:22.8(D)X3.2(T)  
 RoHS Compliant



Recommend P.C.B. Layout(Component Side)

**4UCON** 元化興業股份有限公司  
 4UCON TECHNOLOGY INC.

DRAWING No.		APPROVED BY		UNLESS OTHERWISE SPECIFIED TOLERANCES ARE .X ±0.20 .XX ±0.13 .XXX ±0.05 ANG. ±2°
05579		MEI		
		CHECKED BY	HZF	
		DRAWING BY	CYP	
SCALE	NONE	REV.	BO	UNIT mm

NO.	REV.	REVISIONS	CHK	DATE
△	BO	NEW RELEASE	HZF	10/23/2017