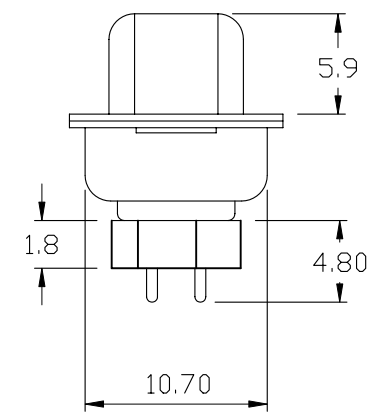
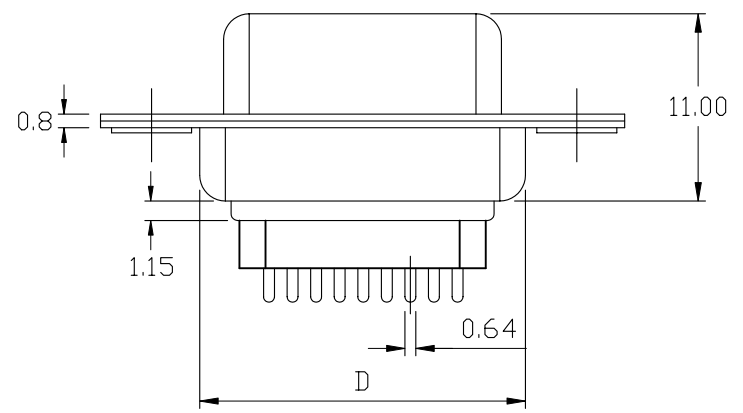
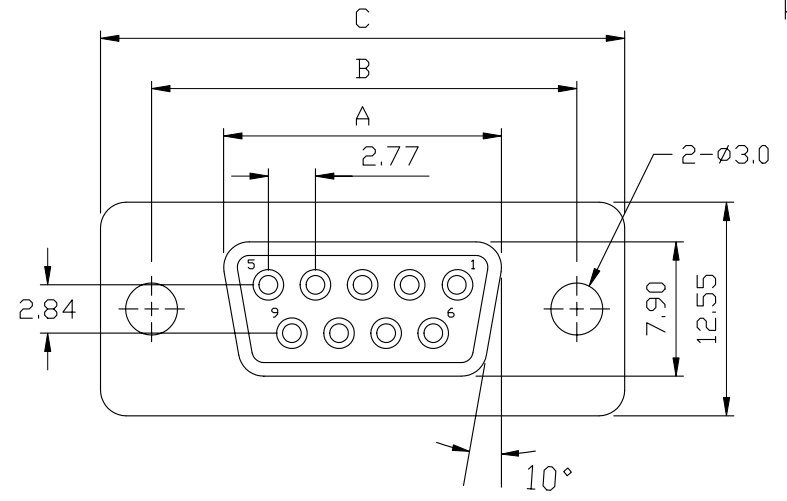


SPECIFICATION
 Current Rating:5 AMP
 Dielectric Withstanding Voltage:1000V
 For 1 Minute
 Insulator Resistance:1000Megaohms Min.
 At 500V DC
 Contact Resistance:15Millionms Max.10 SEC.
 Operating Resistance:-55°C To +105°C
 Insulator:PBT+30% Glass Filled (UL 94V-0)
 Contact Material:Brass
 Gold Over Nickel
 Shell Finish:Steel Tin Nickel Zinc Plated
 RoHS Compliant



Positions	A±0.20	B±0.25	C±0.30	D±0.20
9S	16.33	24.99	30.80	19.14
15S	24.66	33.32	39.10	27.47
25S	38.38	47.04	53.00	41.19
37S	54.84	63.50	69.32	57.65

4UCON 元化興業股份有限公司
 4UCON TECHNOLOGY INC.

DRAWING No.		APPROVED BY		UNLESS OTHERWISE SPECIFIED TOLERANCES ARE
06150		MEI		
		RAN		
		DRAWING BY		.X ±0.25
		HZF		.XX ±0.15
				.XXX ±0.05
SCALE	NONE	REV.	A0	UNIT mm

NO.	REV.	REVISIONS	CHK	DATE