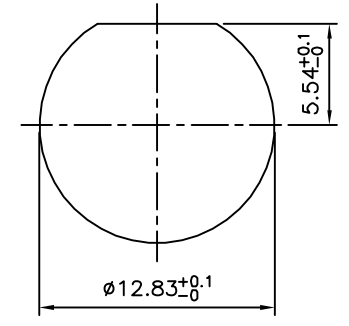


Recommended P.C.B. Layout
Without Mounting Posts



Recommended Mounting Hole
Maximum Panel Thickness:5.5mm

50 Ohms
RoHS Compliant

Item No.	Name	Material	Remark
①	Center Contact	Phosphor Bronze	Gold Plated Over Nickel
②	Body	Zinc Alloy	Nickel Plated
③	Housing	PBT	UL94V-0,White
④	Insulator	PE-606	
⑤	Mounting Post	Brass	Tin Plated
⑥	Solder Tail	Copper Wire	Tin Plated

4UCON 元化興業股份有限公司
4UCON TECHNOLOGY INC.

DRAWING No.		APPROVED BY		UNLESS OTHERWISE SPECIFIED TOLERANCES ARE X. ±0.5 .X ±0.3 .XX ±0.2 ANG. ±3°
06547		EMILY		
		CHECKED BY		
		HZF		
		DRAWING BY		UNIT mm
		HTP		
SCALE	NONE	REV.	B1	NO. REV.

△ B1	Modify Data	HZF	03/14/2012	
△ B0	NEW RELEASE	HZF	04/25/2011	
NO. REV.	REVISIONS	CHK	DATE	