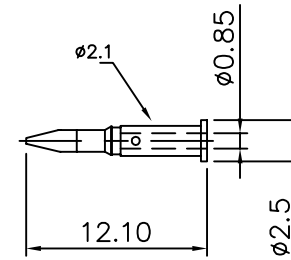
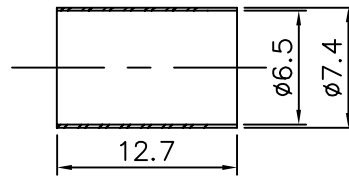
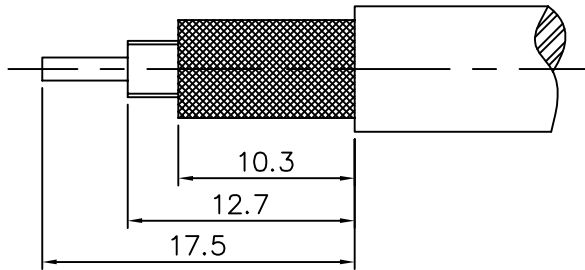
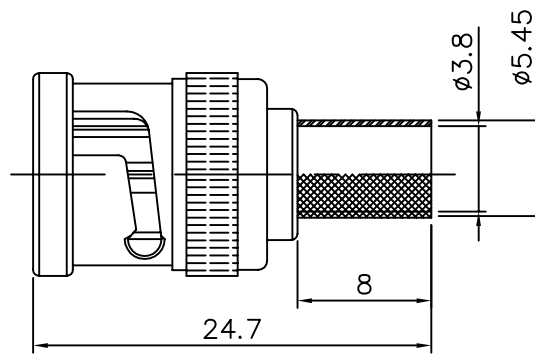
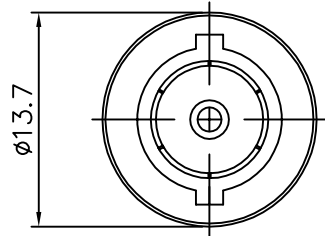


SPECIFICATIONS :

Voltage Rating : 500V RMS
 Frequency Range : 0-4 GHZ
 Interface Per Mil-C-39012C
 For RG-59 Cable

Body : Zinc Alloy , Nickel Plating
 Pin : Brass, Gold Plating
 Dielectric : Delrin
 Washer : Brass, Nickel Plating
 Ferrule : Brass, Nickel Plating
 Spring : SK-5
 Gasket : SI Rubber
 Impedance : 75 Ohms



4UCON 元化興業股份有限公司
 4UCON TECHNOLOGY INC.

DRAWING No.

06558

APPROVED BY

MEI

CHECKED BY

RAN

DRAWING BY

HZF

UNLESS OTHERWISE SPECIFIED

TOLERANCES ARE

.X ±0.5

.X ±0.3

.XX ±0.2

SCALE

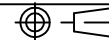
NONE

REV.

A

UNIT

mm



AREA

REVISIONS

CHK

DATE