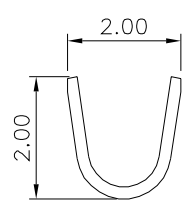
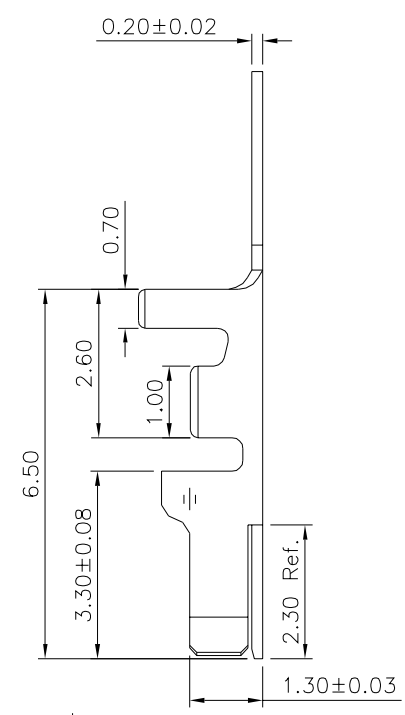
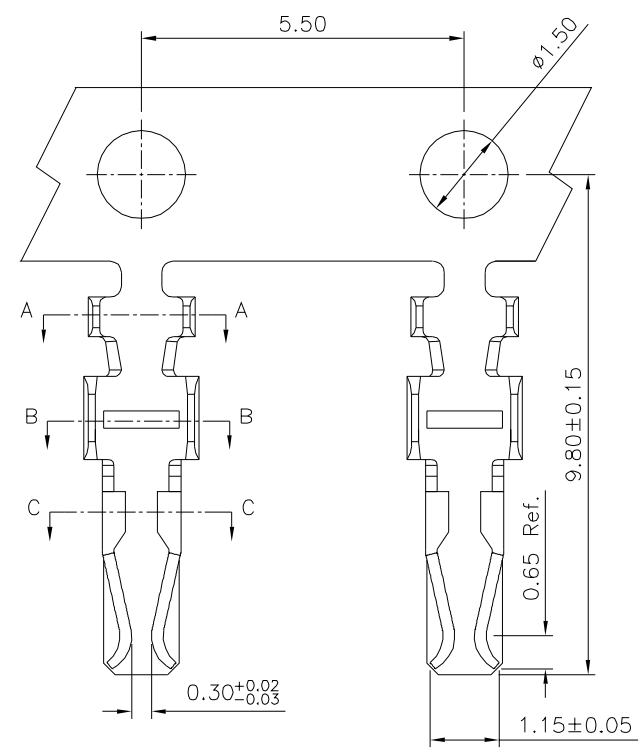
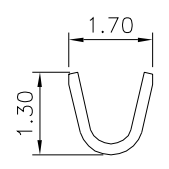


SPECIFICATION

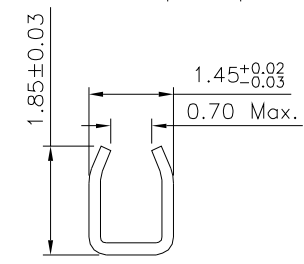
Current Rating:3A AC/DC
 Voltage Rating:250V AC/DC
 Withstand Voltage:1000V AC/Minute
 Contact Resistance:30 Milliohms Max.
 Insulation Resistance:1000 Megaohms Min.
 Temperature Range:-25°C~+85°C
 Applicable Wire:AWG #22~#30
 Material:Phosphor Bronze,Tin Plated
 Q'ty:10000 PCS/Reel
 RoHS Compliant



Section A-A



Section B-B



Section C-C

4UCON

元化興業股份有限公司
 4UCON TECHNOLOGY INC.

DRAWING No.		APPROVED BY	
07679		MEI	
		CHECKED BY	
		HZF	
DRAWING BY		CYP	
SCALE	NONE	REV.	A0

UNLESS OTHERWISE SPECIFIED TOLERANCES ARE	
X.	±0.30
.X	±0.25
.XX	±0.20
.XXX	±0.05
ANG.	±1°
UNIT	mm

NO.	REV.	REVISIONS	CHK	DATE
△ A0		NEW RELEASE	HZF	05/09/2018