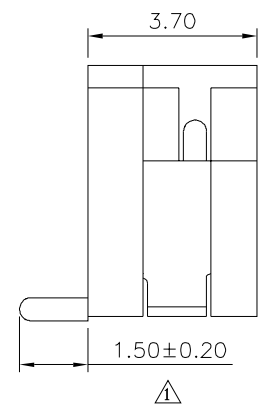
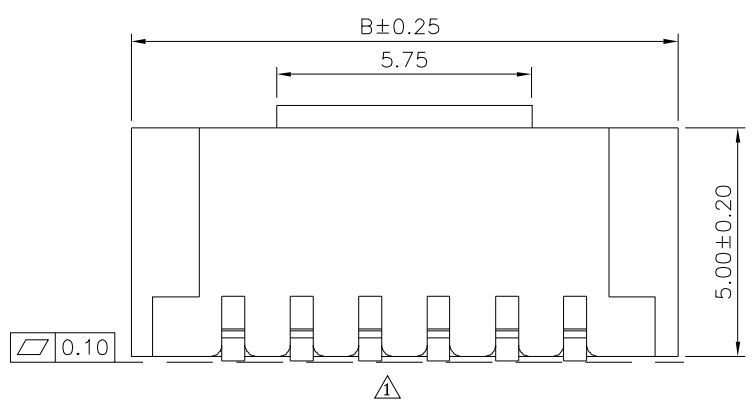
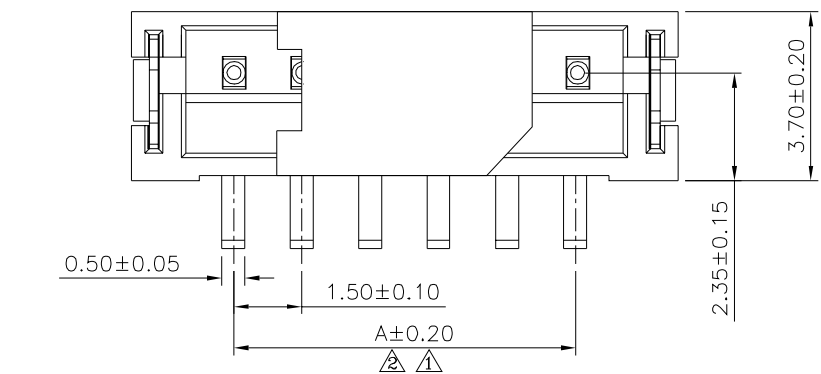
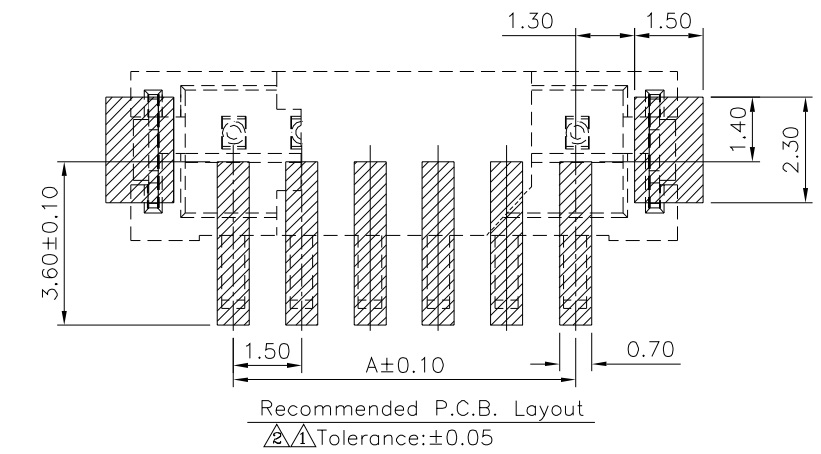


SPECIFICATION
 Current Rating:1.0A AC/DC
 Voltage Rating:50V AC/DC
 Contact Resistance:40 Milliohms Max.
 Withstanding Voltage:500V AC/Minute
 Insulation Resistance:100 Megaohms Min.
 ⚠ Temperature Range:-40°C~+105°C
 Insulator:PA6T(UL94V-0)
 Pin:Brass,Tin Plated
 Solder Tab:Brass,Tin Plated
 RoHS Compliant



Pin	A	B
02	1.50	6.00
03	3.00	7.50
04	4.50	9.00
05	6.00	10.50
06	7.50	12.00
07	9.00	13.50
08	10.50	15.00
09	12.00	16.50
10	13.50	18.00
11	15.00	19.50
12	16.50	21.00
13	18.00	22.50
14	19.50	24.00
15	21.00	25.50

4UCON 元化興業股份有限公司
 4UCON TECHNOLOGY INC.

DRAWING No. 08955
 APPROVED BY MEI
 CHECKED BY HZF
 DRAWING BY CYP
 SCALE NONE REV. A2
 UNIT mm
 UNLESS OTHERWISE SPECIFIED TOLERANCES ARE:
 X. ±0.30
 .X ±0.25
 .XX ±0.20
 .XXX ±0.05
 ANG. ±1°

NO.	REV.	REVISIONS	CHK	DATE
⚠	A2	Modify Data	HZF	05/18/2022
⚠	A1	Modify Data	HZF	10/13/2020
⚠	A0	NEW RELEASE	HZF	01/03/2016