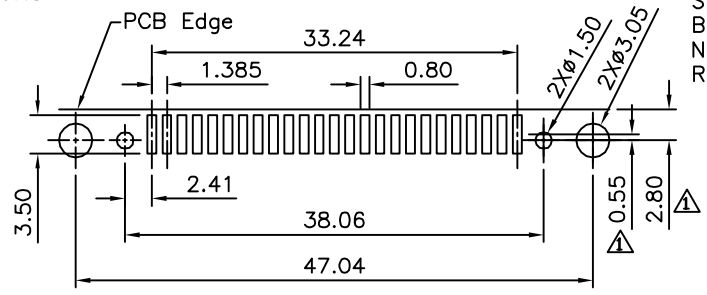
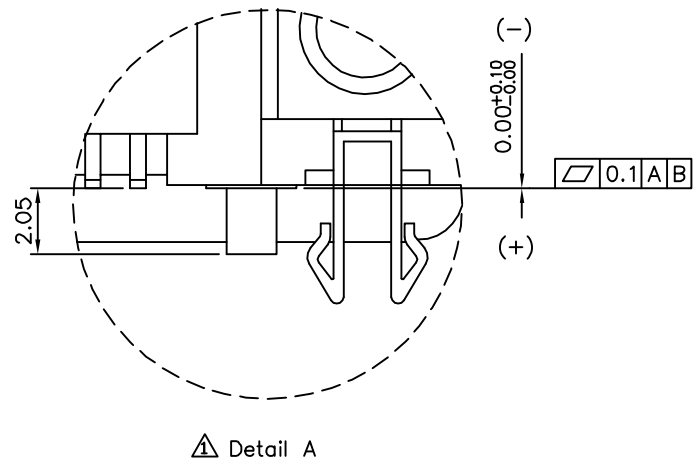
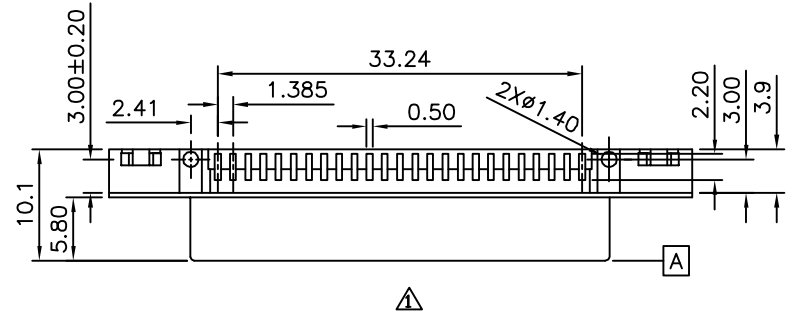
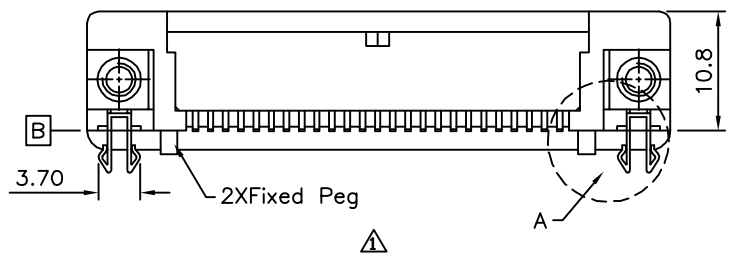


△ SPECIFICATION
 Housing: PA6T+30%G.F.(UL94V-0), Black
 Terminal: Phosphor Bronze, Gold Flash On Contact Area, Tin Plated On Solder Tails, Over Nickel
 Shell: SPCC, Nickel Plated Over Copper
 Boardlock: Brass, Tin Plated
 Nut: Brass, Nickel Plated
 RoHS Compliant



Pin Number:
 1 14 2 15 3 16 4 17 5 18 6 19 7 20 8 21
 9 22 10 23 11 24 12 25 13

Recommended P.C.B. Layout
 △ Recommended PCB Thickness=1.60±0.05mm



4UCON 元化興業股份有限公司
 4UCON TECHNOLOGY INC.

DRAWING No.		APPROVED BY		UNLESS OTHERWISE SPECIFIED TOLERANCES ARE △ .X ±0.25 .XX ±0.15 .XXX ±0.08 ANG. ±1°
09764		EMILY		
		CHECKED BY HZF		
		DRAWING BY SONG		
SCALE	NONE	REV.	A1	UNIT mm

NO.	REV.	REVISIONS	CHK	DATE
△ A1		Modify Data	HZF	09/11/2012
△ A0		NEW RELEASE		