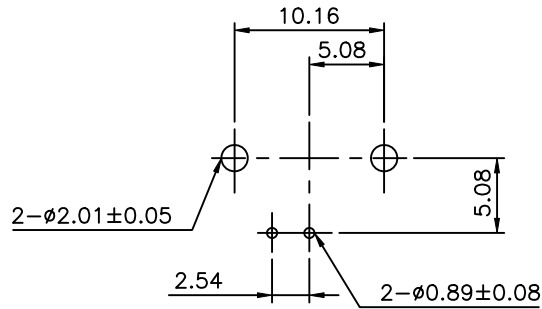


Recommended Mounting Hole
Max. Panel Thickness: 5.5mm



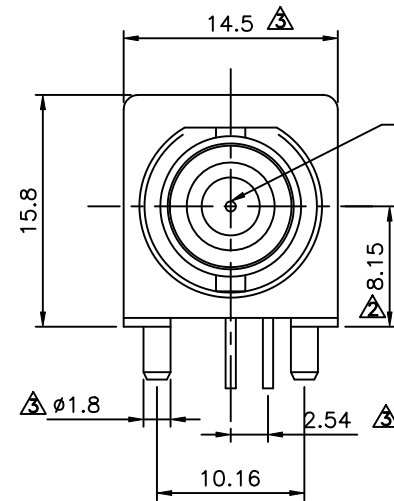
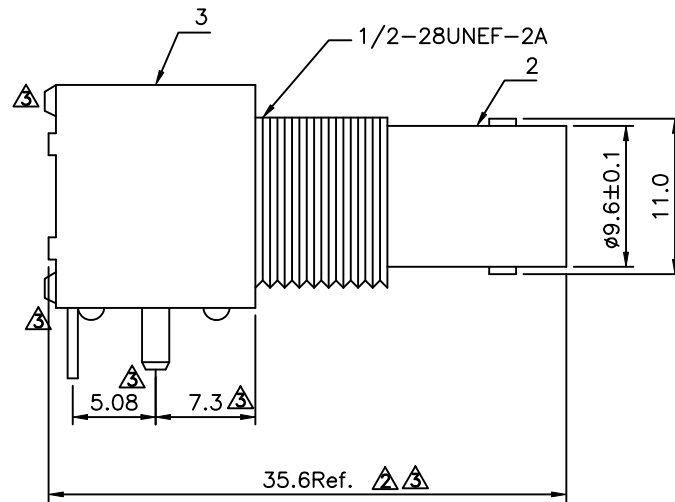
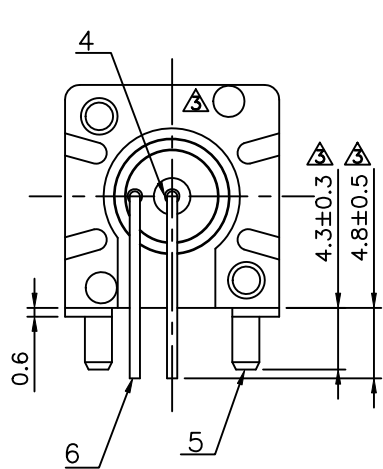
Recommended P.C. Board Layout
Without Mounting Posts

SPECIFICATIONS

△ Contact Resistance: 1.5 Milliohms Max. at 1 Amp DC
 Insulation Resistance: 5,000 Megohms at 500VDC
 Dielectric Withstanding Voltage: 1,000 VAC/rms
 60 Hz for one Minute

Impedance: 50 Ω
 Frequency Range: 0~1 GHz
 Current Rating: 5 Amps
 Voltage Rating: 500V Peak
 Insertion Force: 1850 GRAMS Max.
 Withdrawal Force: 360 GRAMS Min.
 Durability: 100 Cycles Min.

- 1. Center Contact: Bronze, Gold Plated
 - 2. Body: Zinc Alloy, Nickel Plated
 - 3. Housing: PBT (UL 94V-0)
 - 4. Insulator: PE-606
 - 5. Mounting Post: Bronze, Tin Plated
 - 6. Solder Tail: Copper Wire, Tin Plated
- RoHS Compliant



4UCON 元化興業股份有限公司
 4UCON TECHNOLOGY INC.

DRAWING No.

09952

APPROVED BY

MEI

CHECKED BY

RAN

DRAWING BY

HZF

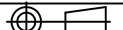
REV.

A3

UNLESS OTHERWISE SPECIFIED TOLERANCES ARE
 X. ±0.5
 .X ±0.3
 .XX ±0.2

UNIT

mm



NO.	REV.	REVISIONS	CHK	DATE
△	A3	Modify Data	HZF	08/05/2008
△	A2	Modify 0.5mm → 5.5mm & Add Dim	BECKY	2005/02/23
△	A1	Add. Spec.	BECKY	2004/04/06
△	A	NEW RELEASE		

SCALE

NONE