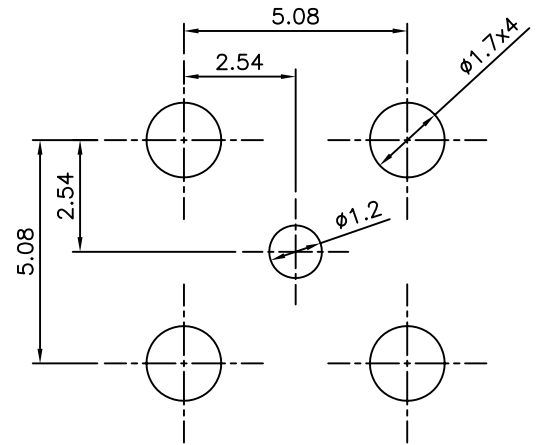
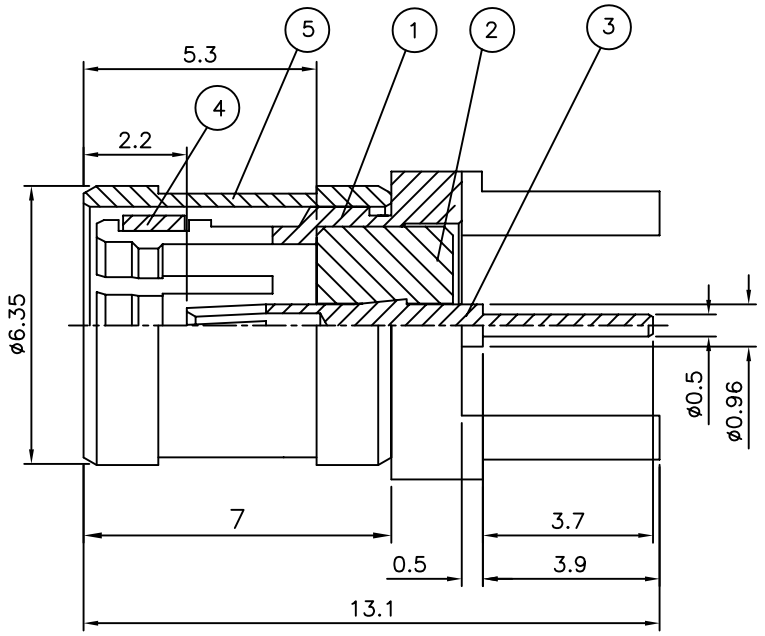
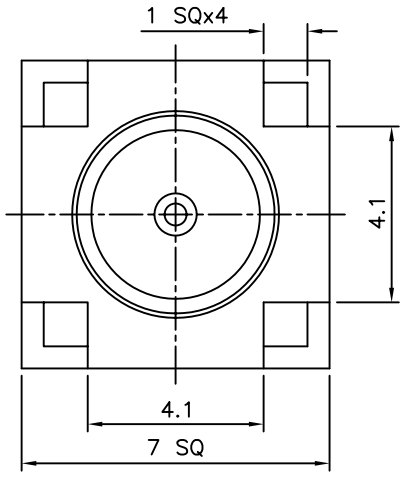


SPECIFICATIONS

Remark: Rohs Requirement Applied



P.C.B Layout



Notes: Finish (Plating Thickness In Micro-Inches)

- 1. Brass PER QQ-B-626
- 2. Gold PL 3 Min Over Nickel PL 70 Min Thick Over Copper Strike
- 3. Gold PL 30 Min Over Nickel PL 70 Min Thick Over Copper Strike
- 4. Teflon Mil-P-19468
- 5. Beryllium Copper PER QQ-C-530

No.	Description	Material	Finish	Q,ty
5	Shell	Note 1	Note 2	1
4	C Ring	Note 5	Note	1
3	Contact Pin	Note 5	Note 3	1
2	Insulator	Note 4	White	1
1	Body	Note 1	Note 2	1

4UCON 元化興業股份有限公司
4UCON TECHNOLOGY INC.

DRAWING No. 10799

APPROVED BY MEI
CHECKED BY HZF
DRAWING BY PEGA

UNLESS OTHERWISE SPECIFIED TOLERANCES ARE
0.5~6 ±0.2
>6~30 ±0.4
>30~120 ±0.6
>120~315 ±1
>315~1000 ±1.6
ANG ±5°

SCALE NONE REV. BO

UNIT mm

BO	NEW RELEASE	HZF	01/11/2007
NO. REV.	REVISIONS	CHK	DATE