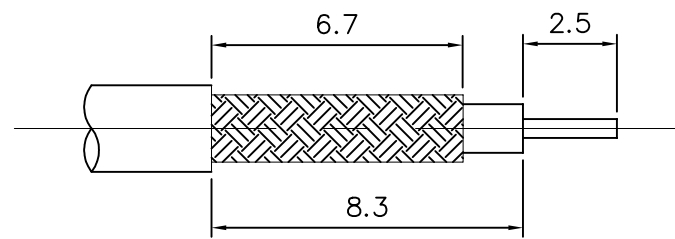
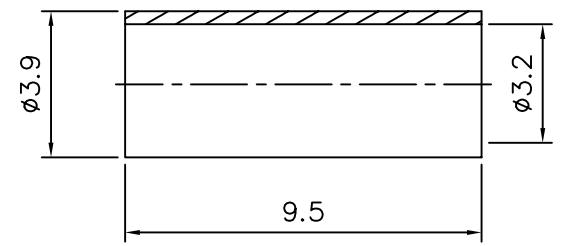


Coaxial Contact Impedance:50 Ohms

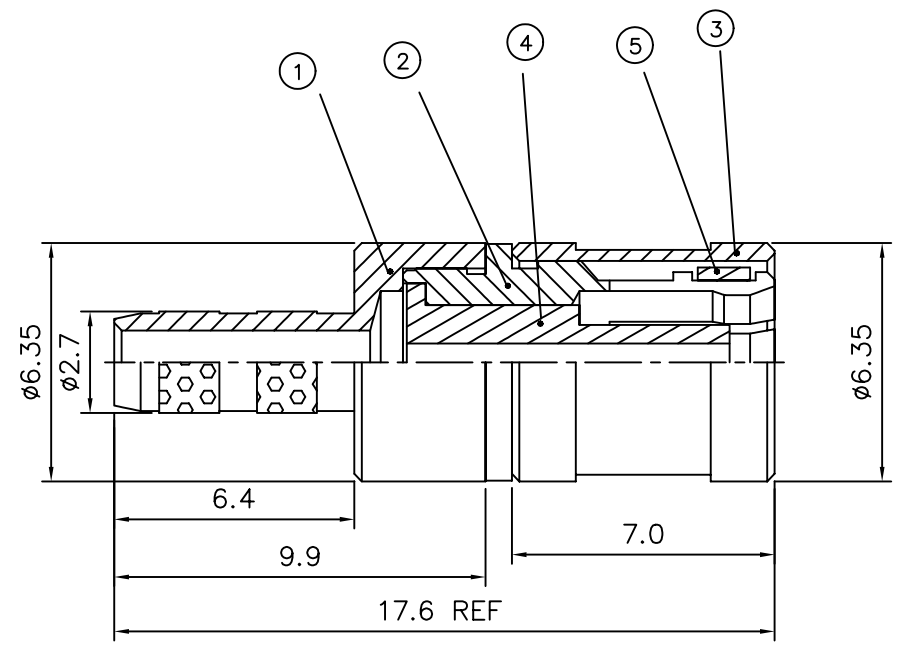
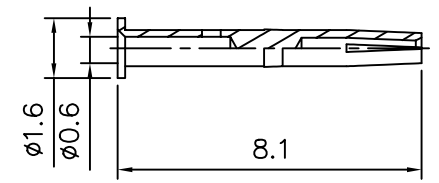


Recommended Cable Stripping Dim's

7



6



No.	Description	Material	Finish	Q'ty
7	Ring	Brass	Gold	1
6	Pin	BeCu	Gold 30u"Min.	1
5	Washer	BeCu	None	1
4	Insulator	Teflon	White	1
3	Body	Brass	Gold	1
2	Body	Brass	Gold	1
1	Body	Brass	Gold	1

4UCON 元化興業股份有限公司
4UCON TECHNOLOGY INC.

DRAWING No.
10800

APPROVED BY MEI
CHECKED BY BECKY
DRAWING BY HZF

UNLESS OTHERWISE SPECIFIED
TOLERANCES ARE
.X ±0.38
.XX ±0.25
.ANG
UNIT mm

NO. REV. A0

NEW RELEASE REVISIONS

MEI
CHK DATE