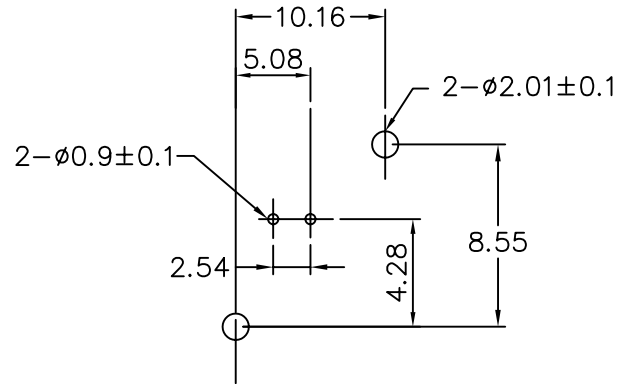


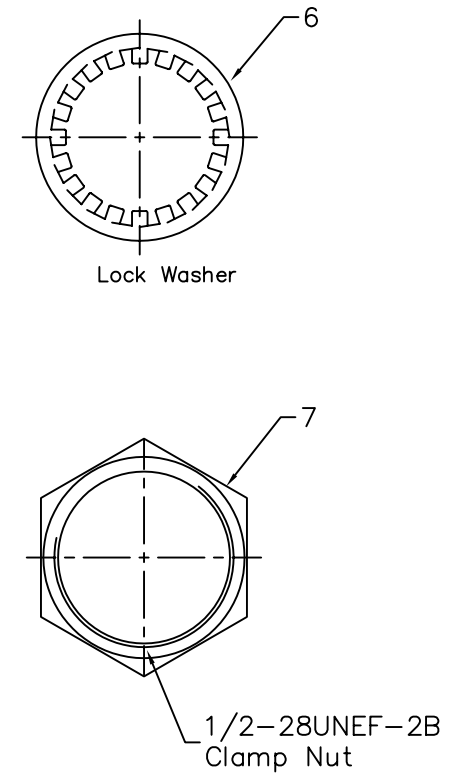
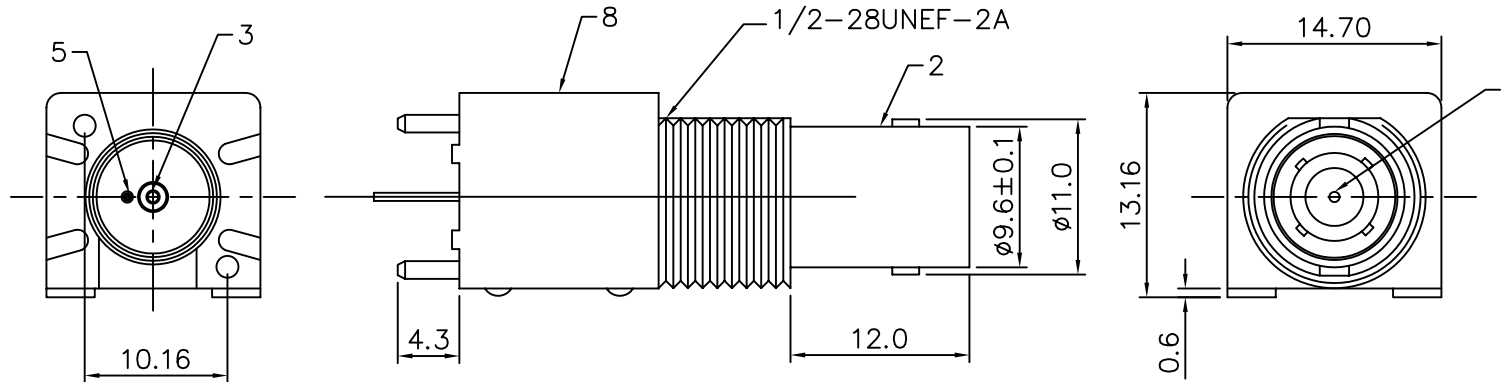
Recommended Mounting Hole  
Max. Panel Thickness: 0.5mm



Recommended P.C. Board Layout  
Without Mounting Posts

**SPECIFICATIONS :**

- 75 Ohms BNC Vertical PCB Mount Jack
- 1.Center Contact: Bronze,Gold Plated
- 2.Body: Zinc Alloy,Nickel Plated
- 3.Insulator: PE-606
- 4.Mounting Post:Bronze,Tin Plated
- 5.Solder Tail: Copper Wire,Tin Plated
- 6.Washer : Steel,Nickel Plated
- 7.Nut: Brass,Nickel Plated
- 8.Housing : PBT (UL 94V-0)



**4UCON** 元化興業股份有限公司  
4UCON TECHNOLOGY INC.

DRAWING No.  
10902

APPROVED BY MEI  
CHECKED BY BECKY  
DRAWING BY HZF

UNLESS OTHERWISE SPECIFIED TOLERANCES ARE  
X. ±0.5  
.X ±0.3  
.XX ±0.2

SCALE NONE REV. A0

NO.	REV.	DESCRIPTION	CHK	DATE
0	A0	NEW RELEASE	MEI	
		REVISIONS		